



30   
YEARS **ELTERM**<sup>®</sup>

Elterm product catalogue  
in heat pump systems



version 2023.08



HP Ready

**Pump groups**

pp. 12

**Dryl magnetic filters**

pp. 11

**RGP distribution manifolds**

pp. 20

**Buffers BHE**

pp. 21

**Set Brigade 2D+ Brigade 3D+**

pp. 16-18

**Set Escadrille 2D+ Escadrille 3D+**

pp. 14-15

**Flow control KRE 2D+**

pp. 12

**Dryl**

**Legal protection UP RP partition INOX**

**Trade dress Ru 069495**

## Quartermaster Controller

guarantee of reliable operation in mixed systems

**Quartermaster**  
product code  
811246

**Module + web application**  
code 100004

example diagrams p. 20 and 21

<p><b>In controller price included</b></p> <p> wired room and weather controls</p>	<p><b>1 or 2 heat source</b></p> <p> 1 or 2 heat source</p>
<p><b>Programming of CH circuits.</b></p> <p> programming of heating time for CH circuits (from 1 to 3)</p>	<p><b>Compressor protection</b></p> <p> Compressor protection function in the heat pump</p>
<p><b>Control of servo motors</b></p> <p> controls 3 pts. servo motors 230 V (from 1 to 3 pcs.)</p>	<p><b>DHW circuit prog.</b></p> <p> 9 DHW programmes. 9 programmes circulation pumps</p>
<p><b>Function AUTO-SUMMER</b></p> <p> 5 independent temp. sensors</p>	<p><b>Pump controls</b></p> <p> 1 to 3 CH pumps 1 x DHW pump 1 x circulation pump.</p>



Elterm boiler selection configurator



on our website  
www.elterm.pl



mobile



or click

## The most advanced CH in-line water heater.

### Uhlan



**Green energy**  
clean air programme

**LCD**  
   
in price

**NEW**  
summer 2023

- option:
- DHW external storage tank**
  - web application**
  - radio control of the boiler**

	max power	automation control	external room thermoregulator	DHW external storage tank	Air vent	additional contactor required	pump control	low loss header function
Uhlan LCD to 12 kW	●	●	●	○	○	○	●	○
Uhlan LED to 12 kW	●	●	●	○	○	○	●	○
Boatswain LED PRO to 8 kW	●	●	●	●	○	○	●	●
Boatswain LED to 8 kW	●	●	●	○	○	○	●	○
Boatswain HP * to 8 kW	●	○	○	○	○	○	●	○
Rifleman to 6 kW	○	○	○	○	○	●	○	○
Rifleman PRO to 6 kW	○	○	○	○	●	●	○	●

## Advanced LCD automation Uklan LCD

included in the price:  
wired control

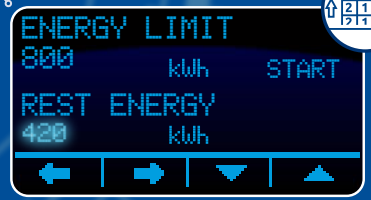
room weather



Available on Android and iOS



9 DHW programme  
9 circulation pump programme



Operation counter



PID On/Off  
**100% autoconsumption**  
equal phase loading

max power	4/6 kW	9 kW	12 kW
code	274006	274009	274012

energy efficiency class D

The heater can work with any voltage-free (0V) wired and wireless room controller

**Green energy**  
clean air programme

### OPTION

DHW set code 100003	Threeway solenoid valve + servo motor	Priority DHW On/Off
Weekly DHW prog.	Circulation pump weekly progr.	

### OPTION

Module + web application  
code 100004

**Controls all boiler functions:**

- monitoring all temperatures
- possibility to change remote temp.
- view temperature graphs

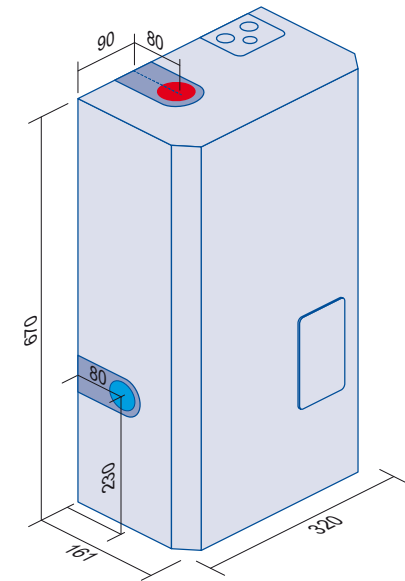
### OPTION

Radio control - 3 variants to choose

room and weather radio control  
code 100009

radio control-room only  
code 100010

radio control-weather only  
code 100011



6/4 Int.

## Basic LED automation Uhlan LED



\* Uhlan max power

↑

4	6	9	12
---	---	---	----

**PV Ready** Maximum power reduction  
adaptation of the boiler output to current needs

↓

PID on/off

energy limit

The heater can work with any voltage-free (0V) wired and wireless room controller

**Green energy**  
clean air programme

### OPTION

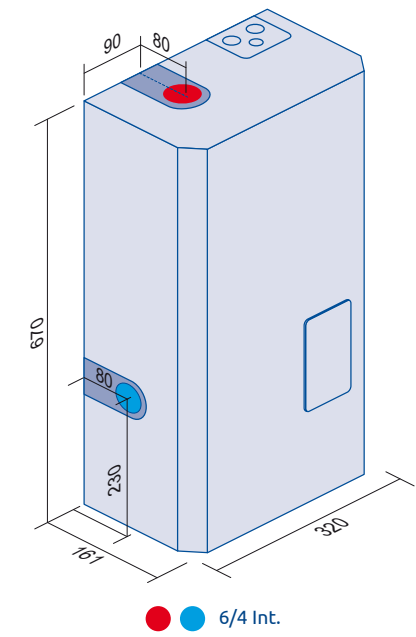
DHW set  
code 100003

Threeway solenoid valve + servo motor

Temp. sensor to DHW storage tank

max power	4/6 kW	9 kW	12 kW
code	264006	264009	264012

energy efficiency class D



## Boatswain LED PRO

Universal connection  
- 5 variants



Low loss header function

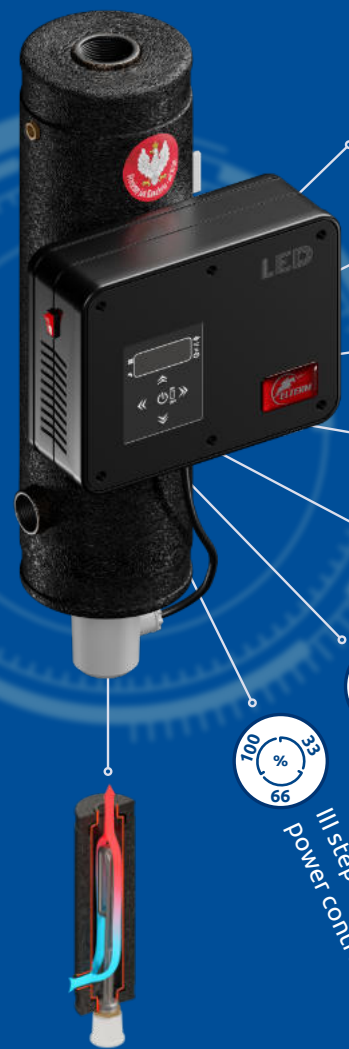


Green energy clean air programme

model	max power	code Boatswain LED
Boatswain 6	6 kW	254006
Boatswain 8	8 kW	254008

energy efficiency class D

## Boatswain LED



- control automation
- mounting profile
- CH pump control 2 variants
- x3 high current relays
- x3 control input (cont. 230V)
- 90°C
- x1 STB thermal protection
- III stepwise power control

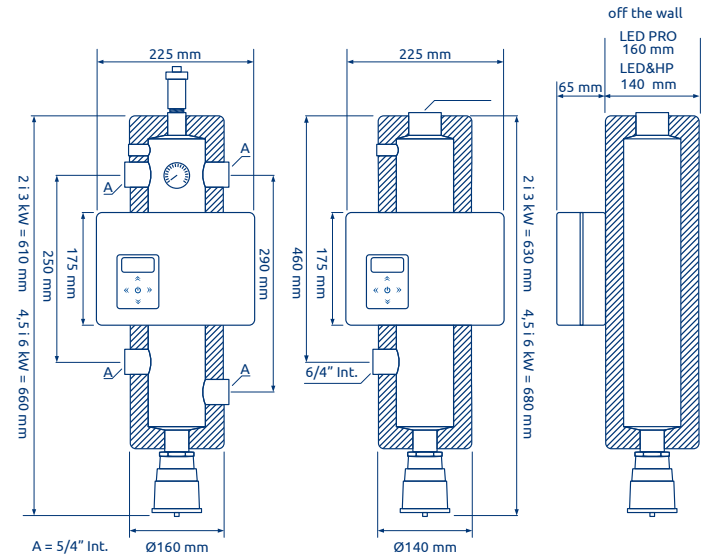
model	max power	code Boatswain LED
Boatswain 3	3 kW	234003
Boatswain 6	6 kW	234006
Boatswain 8	8 kW	234008

## control functions of the Boatswain LED and Boatswain LED PRO

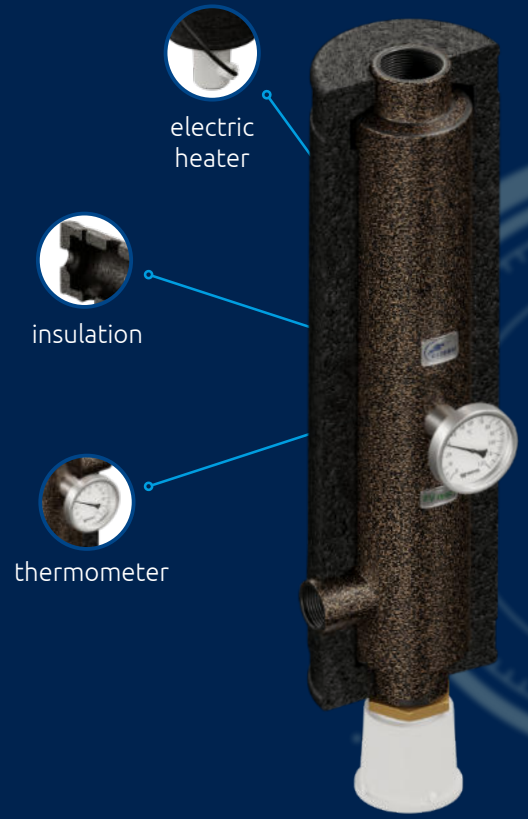
- 230 V** Output control 230V  
**Option:** the peak heat source makes it possible to switch On of individual heaters - heating priority
- PV Ready** NC contact 0V  
Possibility to operate the in-line heater with:
  - any voltage-free 0V room controller
  - automation of another heat source or inverter
- PV Ready** Operation counter  
  - operation counter
  - stop heating
  - adjustable consumption energy
  - Stop operation signal in-line heater
- PV Ready** detachable contact  
Switches the gas boiler OFF when the electric in-line heater is switched ON. Switches the gas boiler ON when the set energy consumption limit is reached.
- Solid-fuel boiler:  
The Boatswain in-line heater controls the CH pump for 2 heat sources.

### Boatswain LED PRO

### Boatswain LED i HP



## Rifleman



**Green energy**  
clean air programme

## Boatswain HP



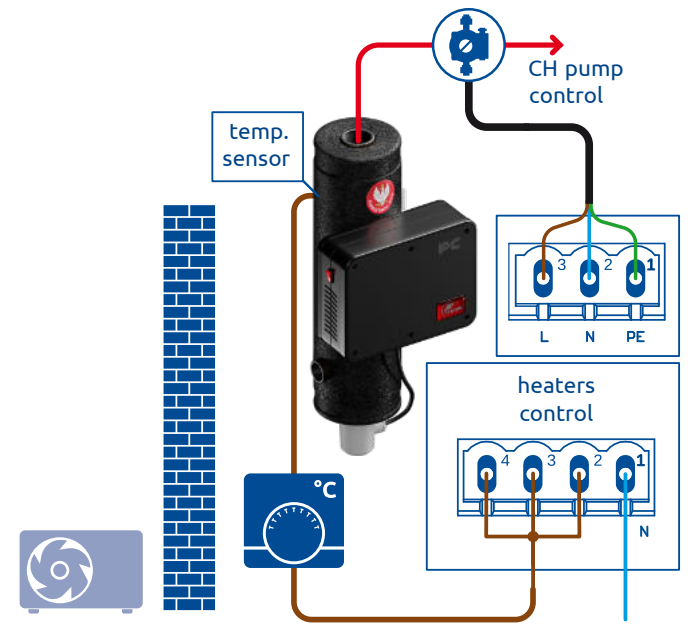
**Rifleman**  
the first CH system in-line heater in Poland.

**Boatswain HP**  
Poland's first CH system in-line heater with integrated automatic control of the electric heater and central heating pump + II times the option of independent operation.

energy efficiency class D

model	power max	heaters set	power supply	code Boatswain HP
Boatswain 3	3 kW	1 + 1 + 1 kW	1 / 2 / 3 phases	234003
Boatswain 6	6 kW	2 + 2 + 2 kW	1 / 2 / 3 phases	234006
Boatswain 8	8 kW	2,7 + 2,7 + 2,7 kW	1 / 2 / 3 phases	234008

Temporary lack of heat pump operation, Boatswain HP guarantees a rapid response - two operation variants




**II operation variant:**  
mounting of control panel from Boatswain LED - compatible with Boatswain HP automation  
control panel LED - code 234000



Protection selection supply 230/400 V	3 kW 1 phase	3 kW 2 phases	6 kW 1 phase	6 kW 3 phases	8 kW 3 phases
Fuses(A)	1 x 16	2 x 6	1 x 32	3 x 10	3 x 16
Power cord (mm <sup>2</sup> )	3 x 4	5 x 1,5	3 x 4	5 x 2.5	5 x 2.5

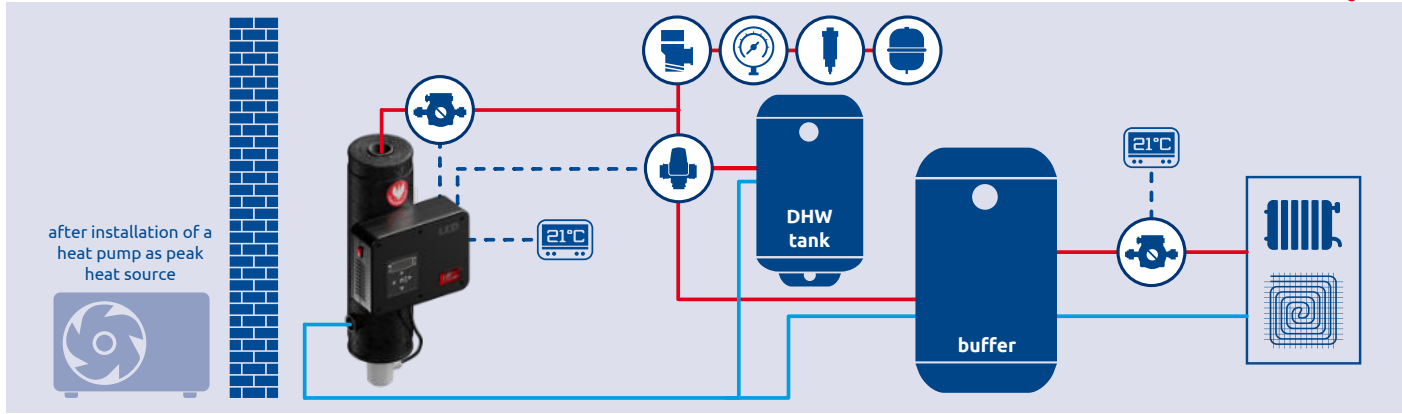
Dimensions see Boatswain LED

variant 1




**Stand-alone/peak heating device for central heating systems.**

e.g.: while waiting for a heat pump or other heat source to be installed. Once the heat pump is installed, the Boatswain LED works as a peak heat source.

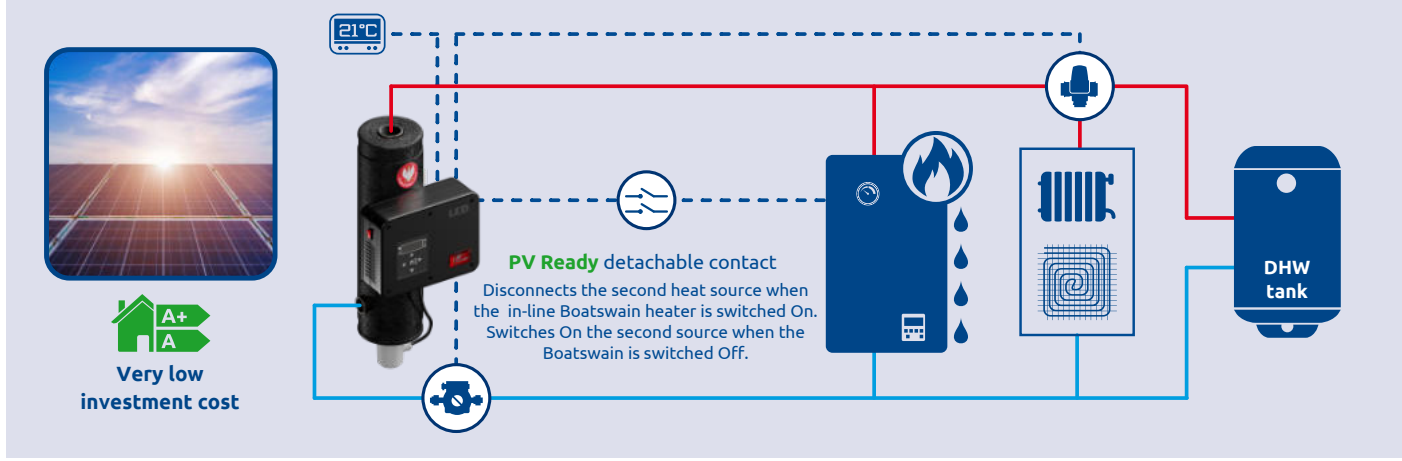


variant 2




**Ideal for use with a gas boiler**

the boiler operating counter switches the gas boiler On when the energy consumption limit set on the Boatswain LED panel is reached.

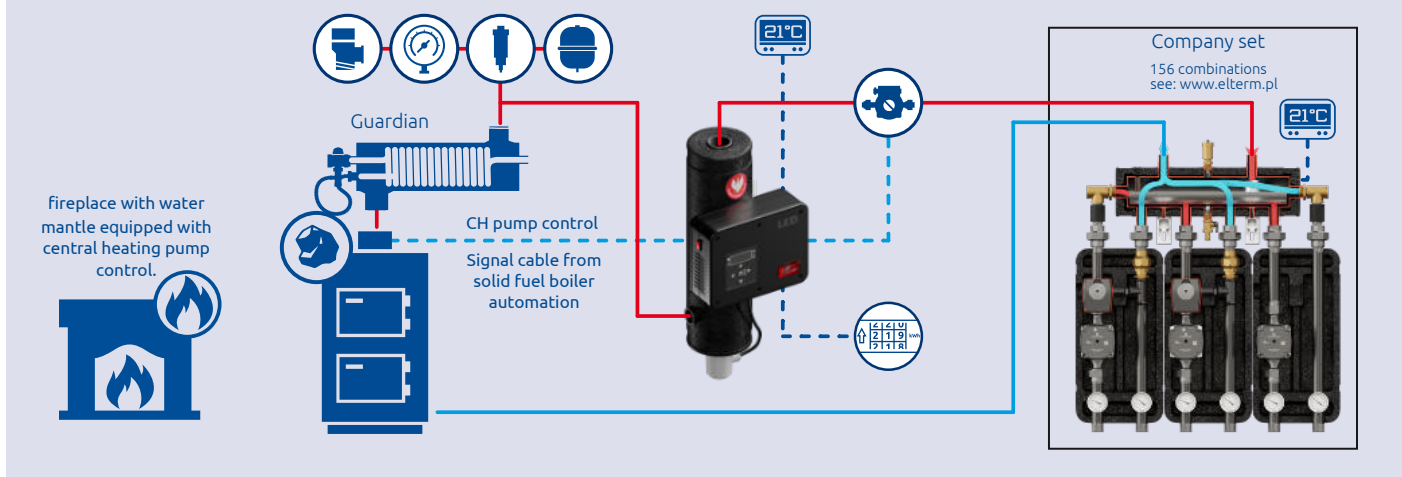


variant 3



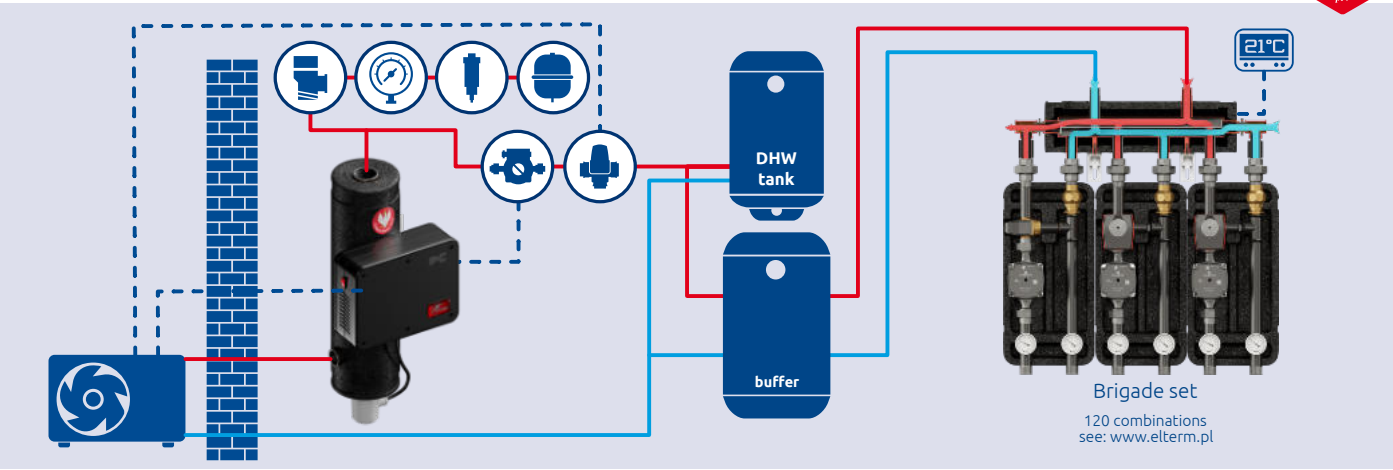
**Ideal for use with solid fuel boilers and fireplaces with water mantles**

as an alternative heating device or for the use of energy from PV installations.



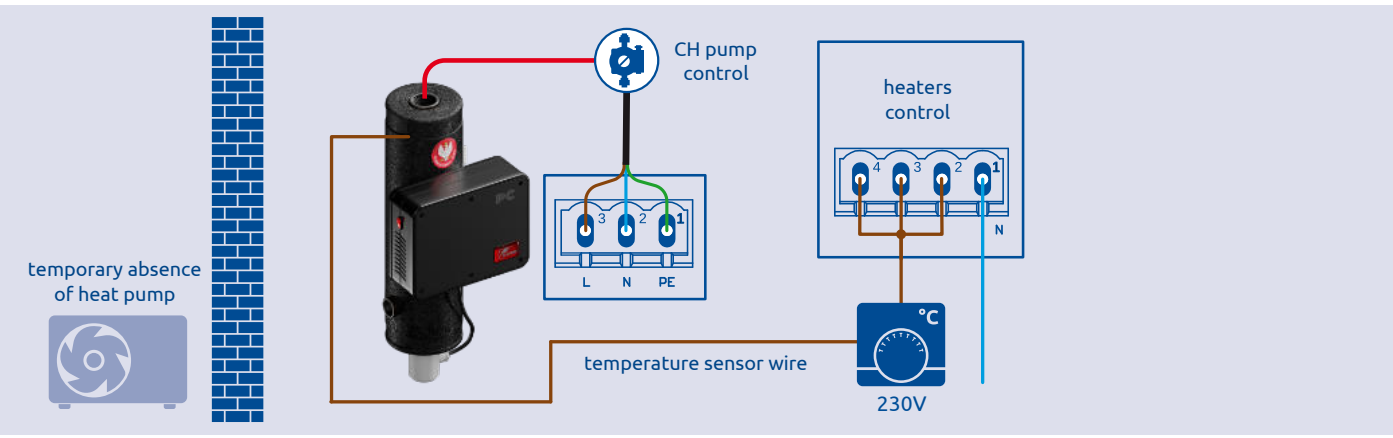


**Boatswain HP as a peak heat source**



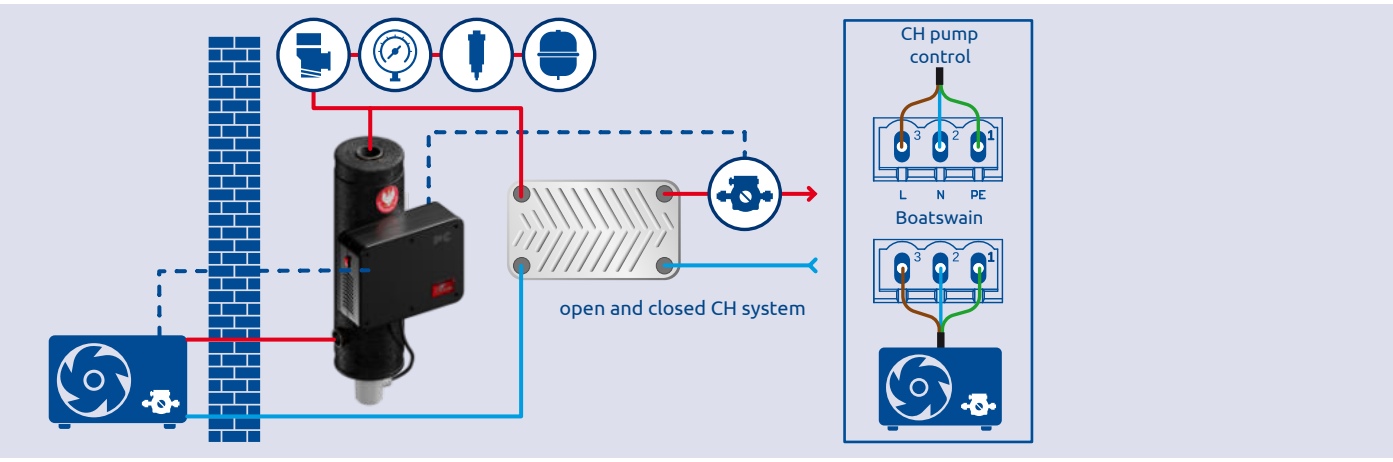
temporary absence of heat pump

**Boatswain HP as the main heat source**



**Boatswain HP as a peak heat source**

Open and closed central heating system. The Boatswain switches the central heating pump after the plate heat exchanger on the basis of the signal from the heat pump



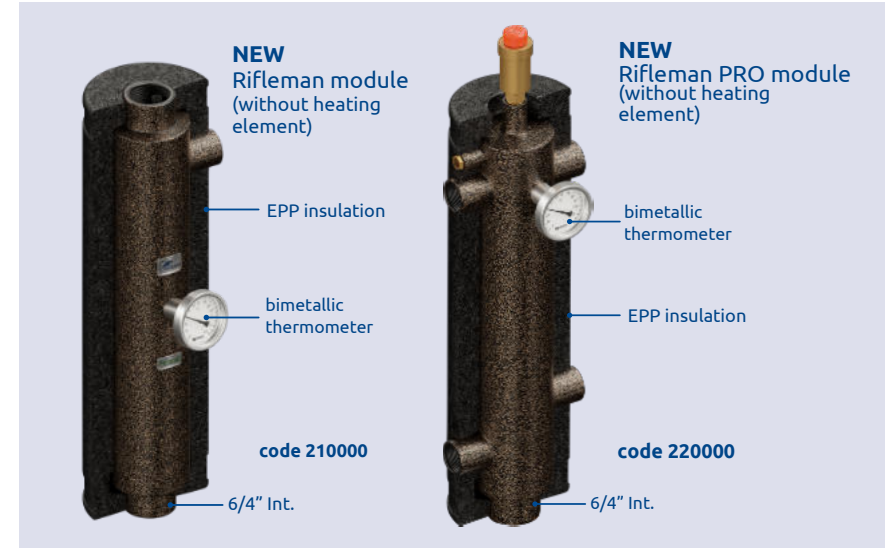
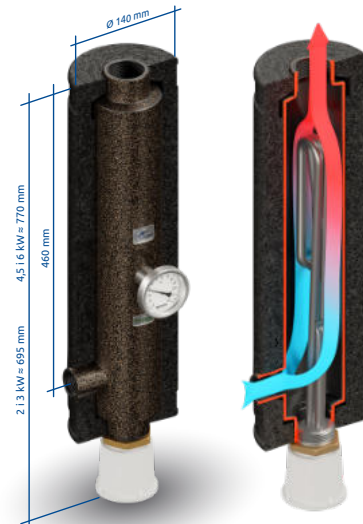
## CH in-line heater RIFLEMAN



Datasheet



Rifleman / 400V	
4,5 kW / 400 V	Rifleman 400/4
product code	214004
6 kW / 400 V	Rifleman 400/6
product code	214006
Rifleman / 230V	
2 kW / 230 V	Rifleman 230/2
product code	212302
3 kW / 230 V	Rifleman 230/3
product code	212303



## In-line heater of CH systems RIFLEMAN PRO

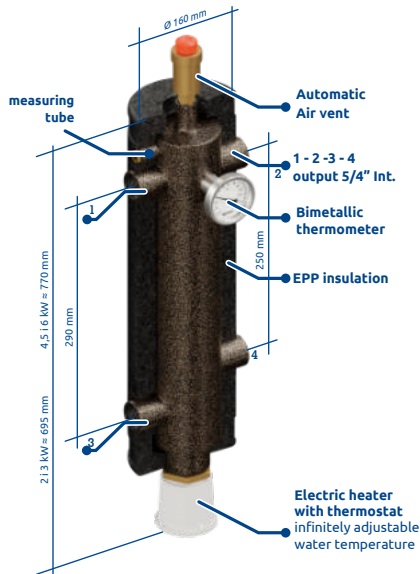
with low loss header function



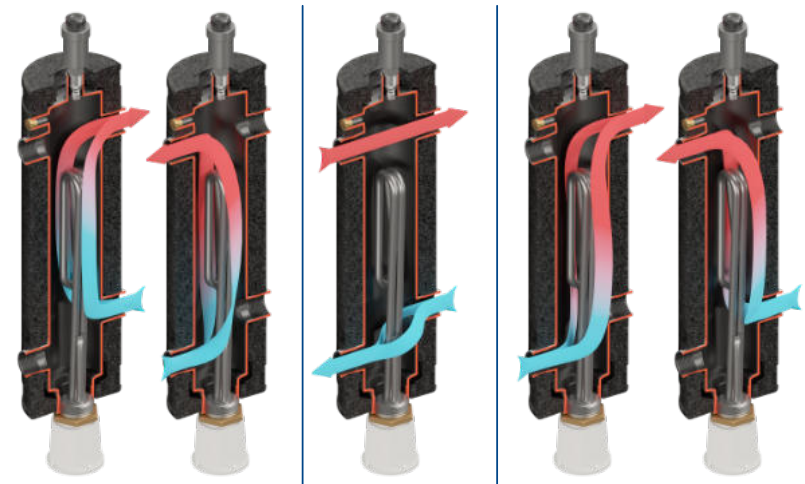
Datasheet



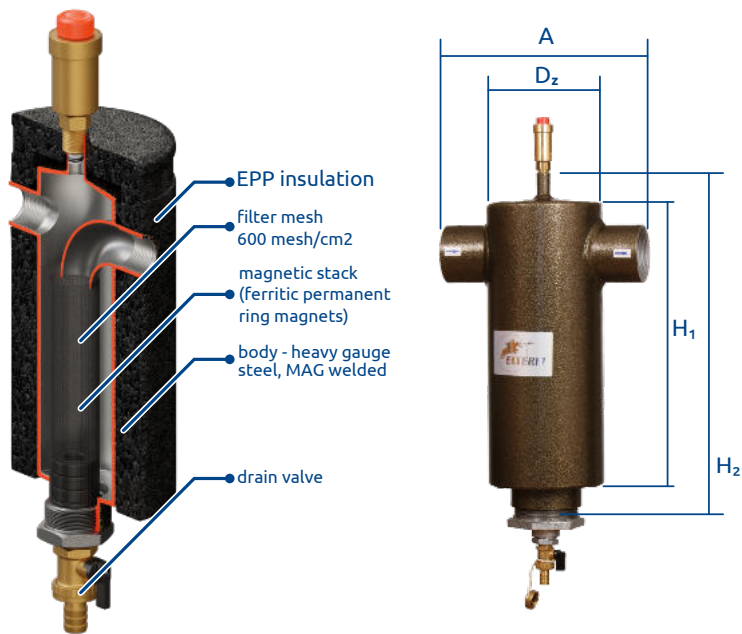
Rifleman PRO / 400V	
4,5 kW / 400 V	Rifleman PRO 400/4
product code	224004
6 kW / 400 V	Rifleman PRO 400/6
product code	224006
Rifleman PRO / 230V	
2 kW / 230 V	Rifleman PRO 230/2
product code	222302
3 kW / 230 V	Rifleman PRO 230/3
product code	222303



### Universal connection - 5 variants



## Dryl magnetic filter

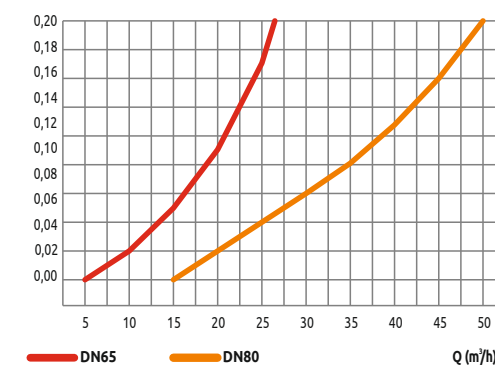
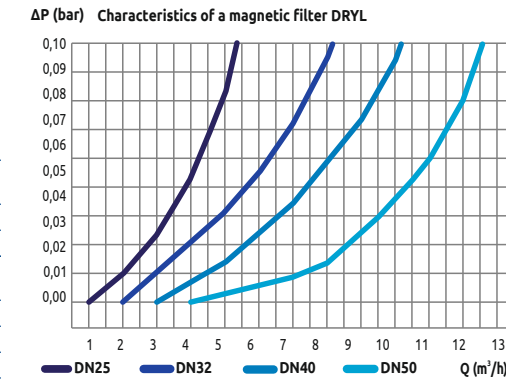


- Effective filter net with more than 600 meshes per cm<sup>2</sup>
- Effective venting
- Effective removal of mechanical contaminants
- Effective removal of ferromagnetic impurities
- Easy and quick cleaning of the filter screen and magnetic stack

	DRYL 37 OC 25/65	DRYL 60 OC 32/80	DRYL 95 OC 40/100	DRYL 144 OC 50/125	DRYL 275 OC 65/150	DRYL 365 OC 80/200
Product code	712037	712060	712095	712144	712275	712365
Insulation	YES	YES	YES	YES	YES	YES
Product code	702037	702060	702095	702144		
Insulation	NO	NO	NO	NO		
Max. power P at ΔT = 15K	to 37 kW	to 60 kW	to 95 kW	to 144 kW	to 275 kW	to 365 kW
Connection DN	25-1" Int.	32-1¼" Int.	40-1½" Int.	50-2" Int.	Flange 2½" (DN65 PN16)	Flange 3" (DN80 PN16)
Flow Q <sub>max</sub>	2,1 m <sup>3</sup> /h	3,5 m <sup>3</sup> /h	5,4 m <sup>3</sup> /h	8,3 m <sup>3</sup> /h	16,0 m <sup>3</sup> /h	21,2 m <sup>3</sup> /h
Temp. max.	110°C	110°C	110°C	110°C	110°C	110°C
Weight	2,4 kg	3,3 kg	4,8 kg	7,4 kg	19,5 kg	30,0 kg
Capacity V	0,7 l	1,3 l	2,4 l	4,0 l	7,1 l	15,7 l
Pressure nominal	6 bar	6 bar	6 bar	6 bar	6 bar	6 bar
D <sub>2</sub> mm	76,1 x	88,9 x 3,2	114 x	133 x 4	159 x 4	219,1 x 4
A mm	158	180	205	235	340	400
H <sub>1</sub> mm	204	248	298	325	400	500
H <sub>2</sub> mm	260	305	365	385	470	570



Trade dress  
Ru 069495



### Stage 1 - CENTRAL FILTRATION

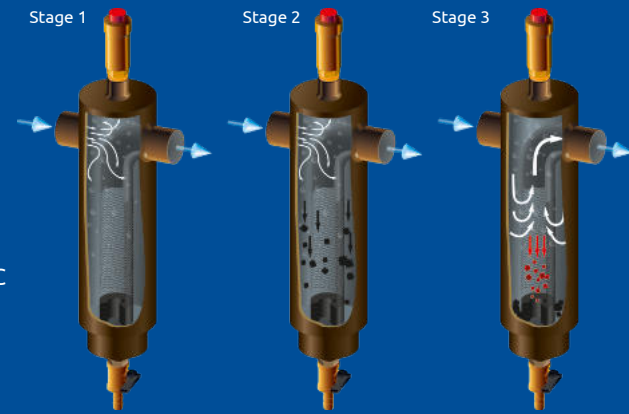
- The central heating water stream takes on a whirling motion and is broken up by the Hamburg elbow. Precipitation of air bubbles takes place.

### Stage 2 - SEDIMENTATION

- The water in the filter housing slows down significantly speed, mechanical impurities >0.125 mm fall by gravity in front of the mesh filter.

### Stage 3 - MECHANICAL FILTRATION ON MESH + MAGNETIC

- The water passes through a mesh filter. Ferromagnetic impurities <0.125 mm are caught by the magnetic stack. As the water passes through the dense mesh, an essential stage of air particle separation occurs.



## Pump group PRO



## Pump group



	pump Grundfos 25/7	pump LFP 25/6	without pump (180mm)	rotary valve VRG ESBE	mixing valve VTA ESBE	valve + servomotor ESBE (set)	Product code	Product code
							Pump group PRO	Pump group
VRG 432 Kvs 8,0	YES			YES		YES	629480	625480
VRG 432 Kvs 8,0		YES		YES		YES	629460	625460
VRG 432 Kvs 8,0	YES			YES			629470	625470
VRG 432 Kvs 8,0		YES		YES			629450	625450
VRG 432 Kvs 8,0			YES	YES		YES	629410	625410
VRG 432 Kvs 8,0			YES	YES			629400	625400
VTA 372 Kvs 3,4	YES				YES		629570	625570
VTA 372 Kvs 3,4		YES			YES		629550	625550
VTA 372 Kvs 3,4			YES		YES		629500	625500
VTA 322 Kvs 1,6	YES				YES		629370	625370
VTA 322 Kvs 1,6		YES			YES		629350	625350
VTA 322 Kvs 1,6			YES		YES		629300	625300
Direct universal	YES						629070	625070
Direct universal		YES					629050	625050
Direct universal			YES				629000	625000



three-way progressive rotary valve  
VRG 432 1" Kvs to 8.0 + servomotor ARA



three-way progressive rotary valve  
VRG 432 1" Kvs to 8.0 + without servomotor



to 50kW  
 $\Delta T 15^\circ C$   
 to 280 m<sup>2</sup>  
 $\Delta T 5^\circ C, 55 W/m^2$



thermostatic valve  
VTA 322 1", Kvs 1,6  
to 60 m<sup>2</sup>  
 $\Delta T 5^\circ C, 55 W/m^2$

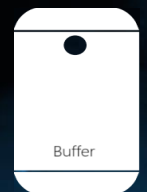


thermostatic valve  
VTA 372 1", Kvs 3,4  
from 40 to 140 m<sup>2</sup>  
 $\Delta T 5^\circ C, 55 W/m^2$



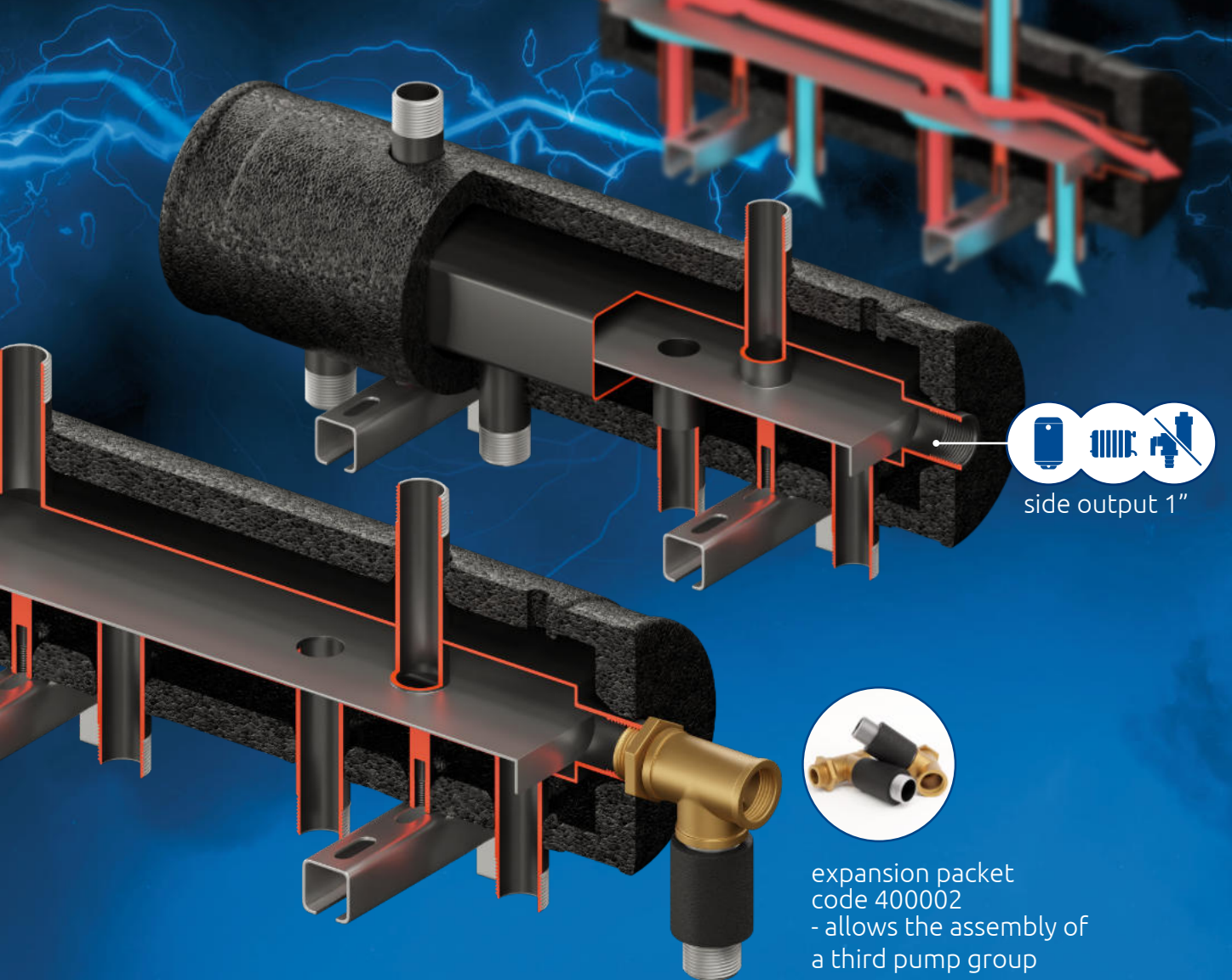
Direct Universal - without rotary & thermostatic valve





to work with buffer

Legal protection UP RP partition INOX  
flow control

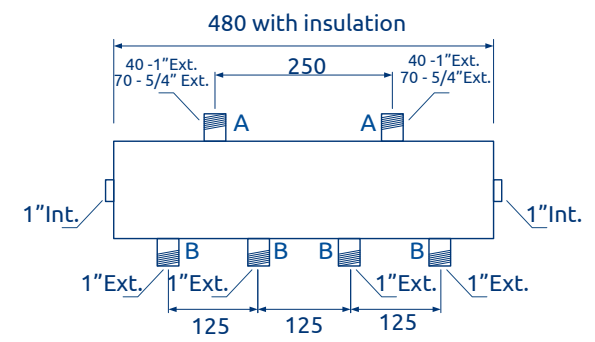
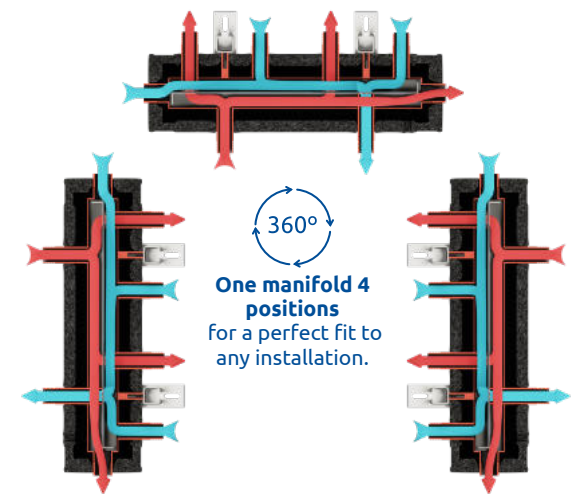


side output 1"



expansion packet code 400002 - allows the assembly of a third pump group

KRE 40 2D+		KRE 70 2D+	
product code	452040	product code	452070
max flow	2,3 m <sup>3</sup> /h	max flow	4,0 m <sup>3</sup> /h
A - 1"	B - 1"	A - 5/4"	B - 1"
max power (ΔT=15K)	40 kW	max power (ΔT=15K)	70 kW
max power (ΔT=5K)	13 kW	max power (ΔT=5K)	23 kW

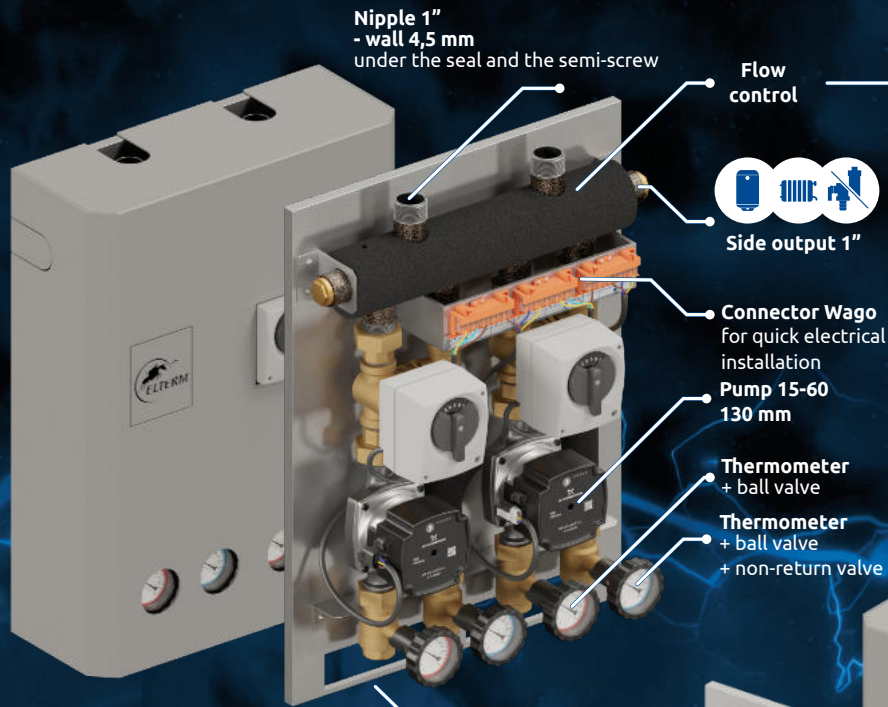


- included**
- Mounting profile**  
Simplifies mounting to the wall
  - Flow control**  
Ensures equal hot water extraction for both pump groups
  - EPP insulation**  
Minimises heat loss



## Escadrille set 2D+

set:  
1 x distribution manifolds KRE  
2 x pump group

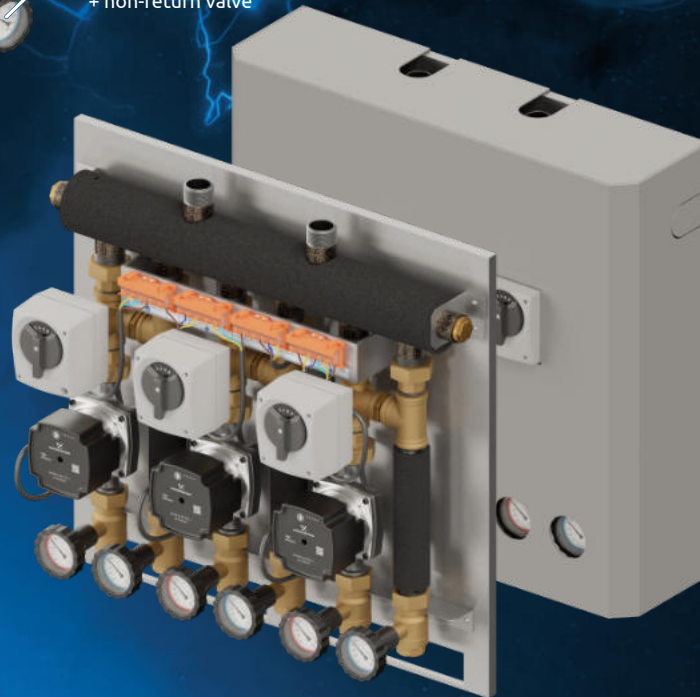


**Patent P.421240**  
**flow control**

- technically advanced distributor
- guarantees equal hot water consumption for 2 pump groups
- allows the assembly of several pump groups with any mixing set

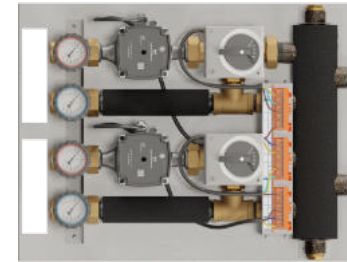
## Escadrille set 3D+

set:  
1 x distribution manifolds KRE  
3 x pump group

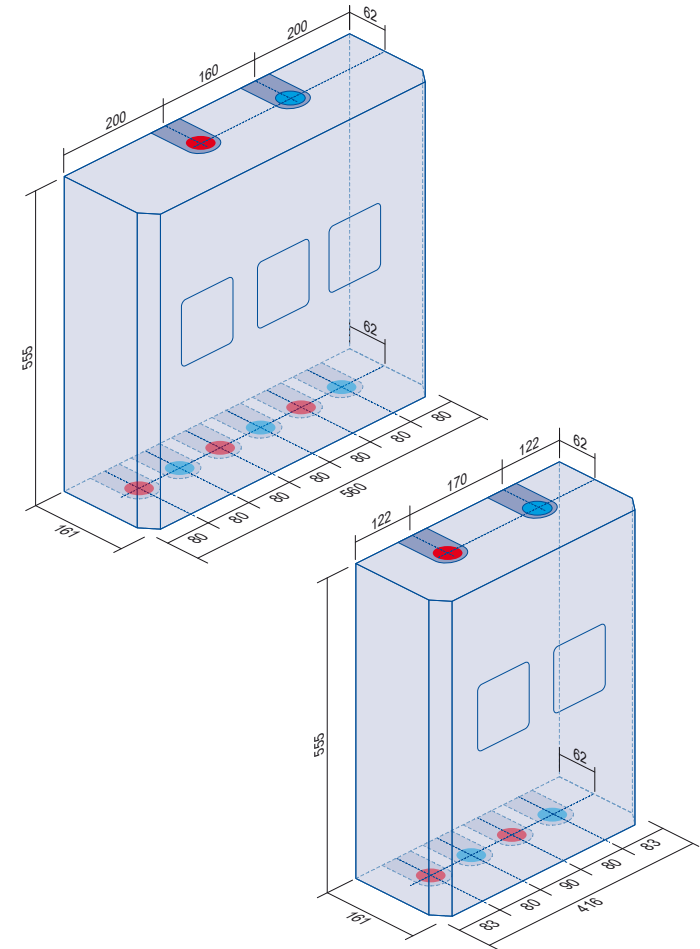


## Escadrille 2D+ Escadrille 3D+

side circuit



heating circuits upwards

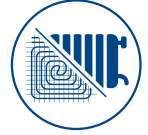




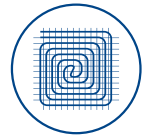
thermometer + ball valve



thermometer + ball valve + drain valve



rotary valve with servomotor Kvs 6,3



mixing valve thermostat. KVS 1.8



universal direct - without rotary and thermostatic valve

pump Grundfos

pump LFP



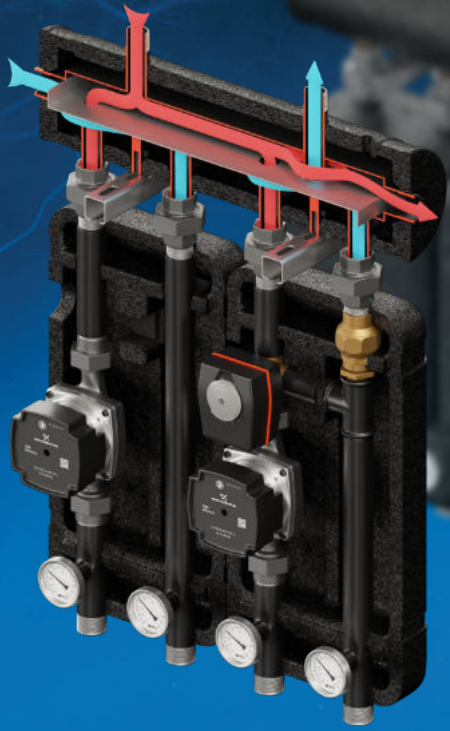
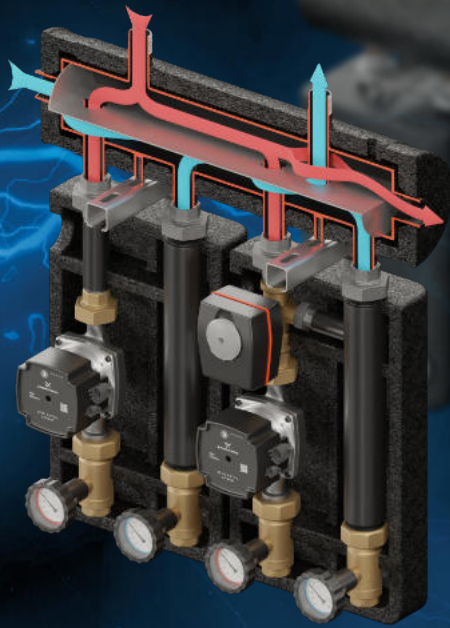
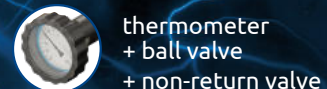
II variants

 UNI 825480 	  825460 	  825484 	  825464 	 UNI 825370 	  825350 	  825373 	  825353 	  825384 	  825364 	 UNI 825070 	 UNI 825050 
 UNI 829000 	 UNI 828000 	 UNI 829004 	 UNI 828004 	 UNI 829044 	 UNI 828044 	 UNI 829444 	 UNI 828444 	 UNI 829003 	 UNI 828003 		
 UNI 829033 	 UNI 828033 	 UNI 829333 	 UNI 828333 	 UNI 829043 	 UNI 828043 	 UNI 829433 	 UNI 828433 	 UNI 829443 	 UNI 828443 		



### Brigade set PRO 2D+

set:  
1 x distribution manifold KRE 70 2D+  
2 x pump group PRO

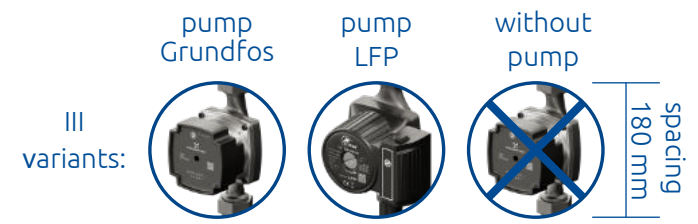


Legal protection UP RP partition INOX

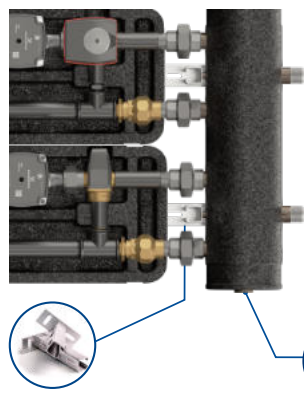
- high-tech distributor
- ensuring equal hot water extraction by 2 pump groups
- allows the assembly of several pump groups with any mixing valve

### Brigade set 2D+

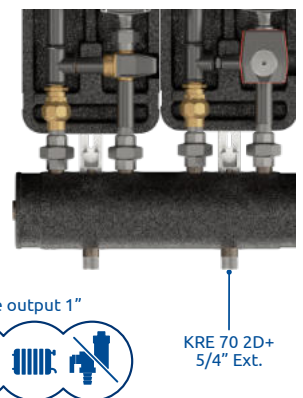
set:  
1 x distribution manifold KRE 70 2D+  
2 x pump group



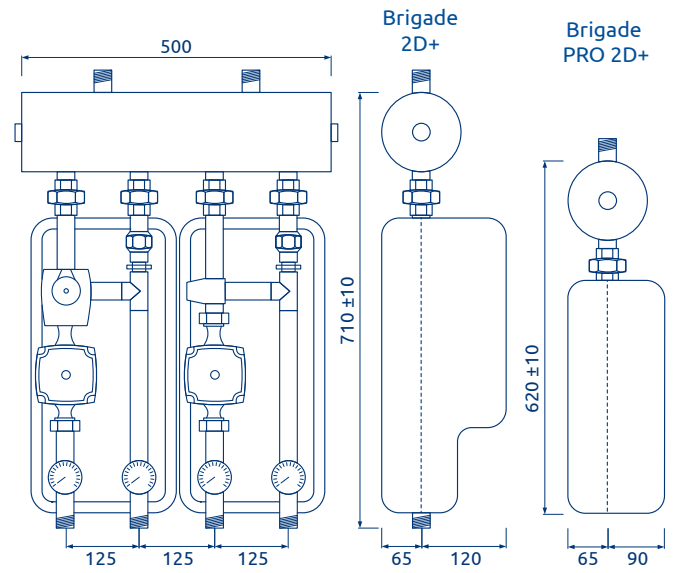
Brigade - side work



heating circuits upwards



KRE 70 2D+ 5/4" Ext.





## 4 variants of pump groups in sets Brigade 2D+ i Brigade PRO 2D+

**PRO**

threeway progressive rotary valve  
VRG 432 1" Kvs to 8.0  
+ servomotor ARA

threeway progressive rotary valve  
VRG 432 1" Kvs to 8.0  
+ without servomotor

to 280 m<sup>2</sup>  
ΔT 5°C, 55 W/m<sup>2</sup>

to 50kW  
ΔT 15°C

**PRO**

thermostatic valve  
VTA 322 1" Kvs 1,6  
to 60 m<sup>2</sup>  
ΔT 5°C, 55 W/m<sup>2</sup>

thermostatic valve  
VTA 372 1" Kvs 3,4  
from 40 to 140 m<sup>2</sup>  
ΔT 5°C, 55 W/m<sup>2</sup>

**PRO**

Direct Universal - without rotary & thermostatic valve

III variants

pump Grundfos

pump LFP

without pump

	No. 1			No. 2			No. 3			No. 4		
Brigade	840480	840460	840410	840484	840464	840414	840470	840450	840400	840070	840050	840000
Brigade PRO	860480	860460	860410	860484	860464	860414	860470	860450	860400	860070	860050	860000
	No. 5			No. 6			No. 7			No. 8		
		+			+			+			+	
Brigade	840584	840564	840514	840384	840364	840314	840570	840550	840500	840370	840350	840300
Brigade PRO	860584	860564	860514	860384	860364	860314	860570	860550	860500	860370	860350	860300
	No. 9			No. 10								
		+			+							
Brigade	840575	840555	840505	840373	840353	840303						
Brigade PRO	860575	860555	860505	860373	860353	860303						

Elterm hydraulic fittings selection configurator

mobile

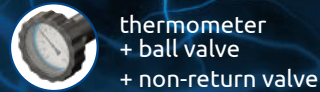
on our website  
[www.elterm.pl](http://www.elterm.pl)

scan

or click

## Brigade set PRO 3D+

set:  
 1 x distribution manifold KRE 70 2D+  
 3 x pump group PRO  
 1 x expansion packet

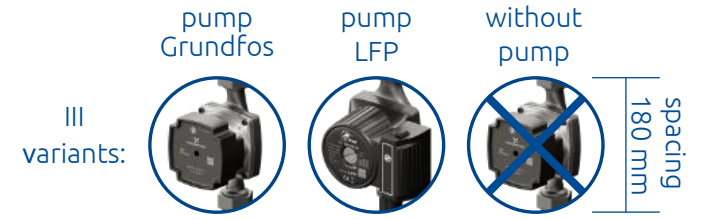


Legal protection UP RP  
partition INOX

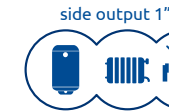
- high-tech distributor
- ensuring equal hot water extraction by 2 pump groups
- allows the assembly of several pump groups with any mixing valve

## Brigade set 3D+

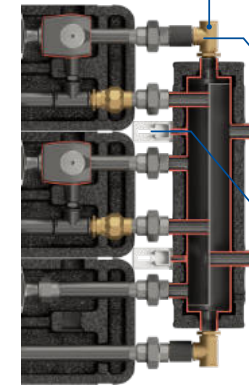
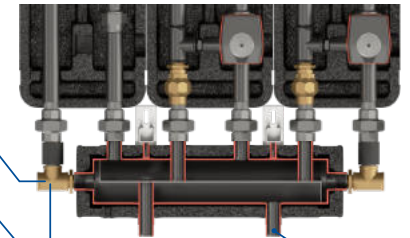
set:  
 1 x distribution manifold KRE 70 2D+  
 3 x pump group  
 1 x expansion packet



Brigade - side output



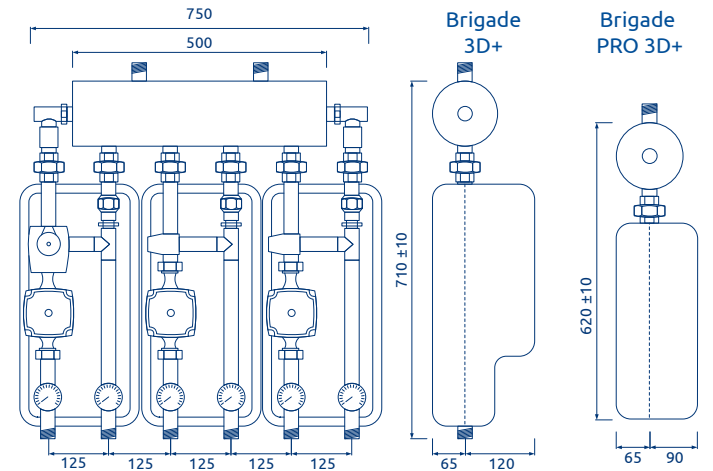
heating circuits upwards



In price included  
expansion packet

KRE 70 2D+  
5/4" Ext.

In price included  
mounting profile





4 variants of pump groups in sets  
Brigade 3D+ & Brigade PRO 3D+

**PRO**

- 3-way rotary progressive valve  
VRG 432 1" Kvs to 8.0  
+ servo motor ARA
- OPTION  
3-way rotary valve  
without servo motor
- to 280 m<sup>2</sup>  
ΔT 5°C, 55 W/m<sup>2</sup>
- to 50kW  
ΔT 15°C

**PRO**

- thermostatic valve  
VTA 322 1", Kvs 1,6  
to 60 m<sup>2</sup>  
ΔT 5°C, 55 W/m<sup>2</sup>
- 60
- thermostatic valve  
VTA 372 1", Kvs 3,4  
from 40 to 140 m<sup>2</sup>  
ΔT 5°C, 55 W/m<sup>2</sup>
- 140

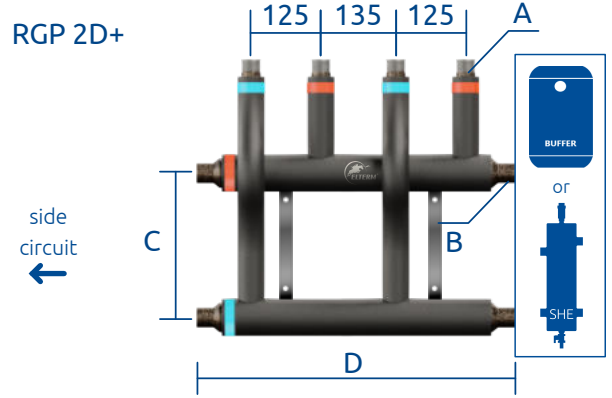
**PRO**

- universal direct -  
without rotary and  
thermostatic valve
- UNI

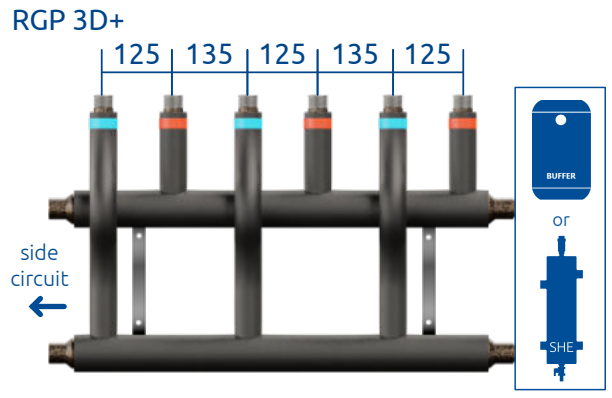
III variants

pump Grundfos    pump LFP    without pump

	No. 1			No. 2			No. 3			No. 4		
<b>Brigade 3D+</b>												
	849004	848004	847004	849044	848044	847044	849444	848444	847444	849000	848000	847000
<b>Brigade 3D+ PRO</b>												
	869004	868004	867004	869044	868044	867044	869444	868444	867444	869000	868000	867000
<b>Brigade 3D+</b>												
	VTA 372			VTA 372	VTA 372		VTA 372	VTA 372	VTA 372	VRG + ARA	VTA 372	
<b>Brigade 3D+</b>												
	849005	848005	847005	849055	848055	847055	849555	848555	847555	849054	848054	847054
<b>Brigade 3D+ PRO</b>												
	869005	868005	867005	869055	868055	867055	869555	868555	867555	869054	868054	867054
<b>Brigade 3D+</b>												
	VTA 322			VTA 322	VTA 322		VTA 322	VTA 322	VTA 322	VRG + ARA	VTA 322	
<b>Brigade 3D+</b>												
	849033	848033	847033	849033	848033	847033	849333	848333	847333	849034	848034	847034
<b>Brigade 3D+ PRO</b>												
	869033	868033	867033	869033	868033	867033	869333	868333	867333	869034	868034	867034

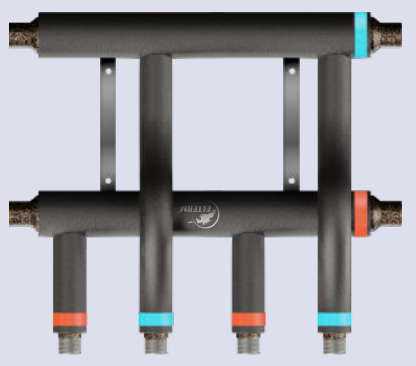
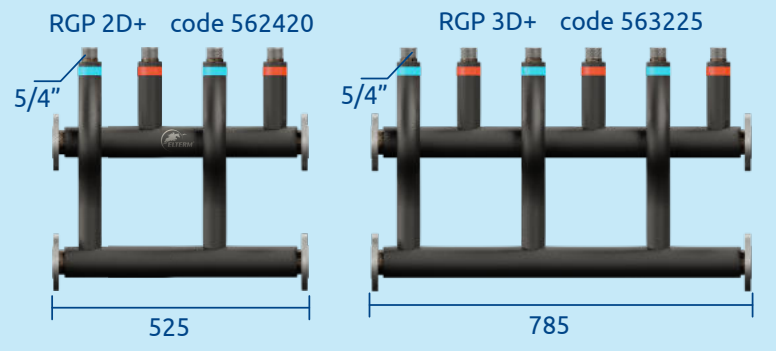
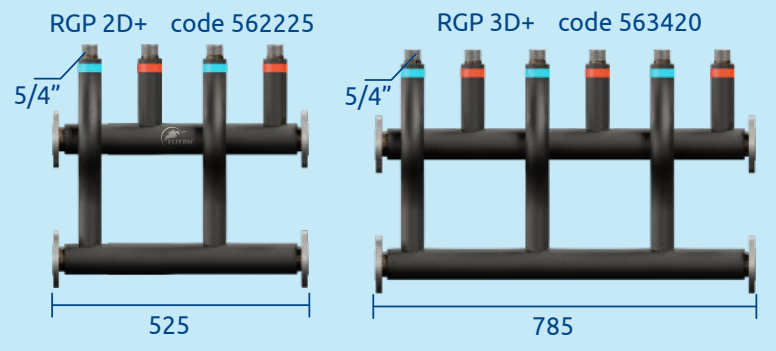


Code	A	B	C	D	solar insulation
512040	1" Ext.	1" Int.	250 mm	605 mm	YES
512070	1" Ext.	5/4" Int.	300 mm	605 mm	YES
512100	1" Ext.	6/4" Int.	350 mm	525 mm	YES
512156	1" Ext.	2" Int.	350 mm	595 mm	YES
562156	5/4" Ext.	2" Int.	350 mm	595 mm	YES

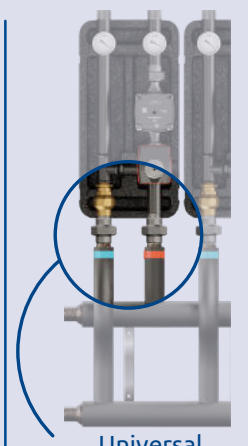


Code	A	B	C	D	solar insulation
513040	1" Ext.	1" Int.	250 mm	865 mm	YES
513070	1" Ext.	5/4" Int.	300 mm	865 mm	YES
513100	1" Ext.	6/4" Ext.	350 mm	785 mm	YES
513156	1" Ext.	2" Ext.	350 mm	855 mm	YES
563156	5/4" Ext.	2" Ext.	350 mm	855 mm	YES

### Customised flanged manifolds. Flange PN 16



180°  
RGP - can be rotary by 180°



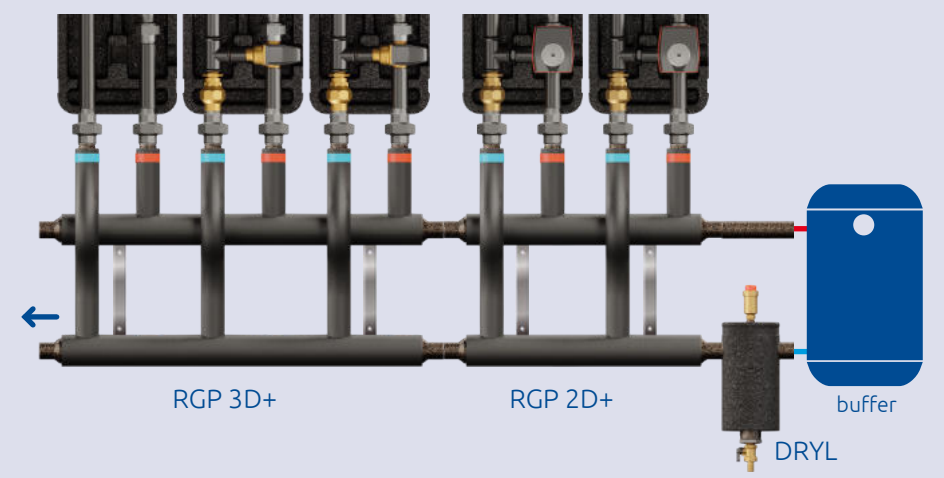
side circuit  
←  
Possibility of connecting an additional circuit, e.g:

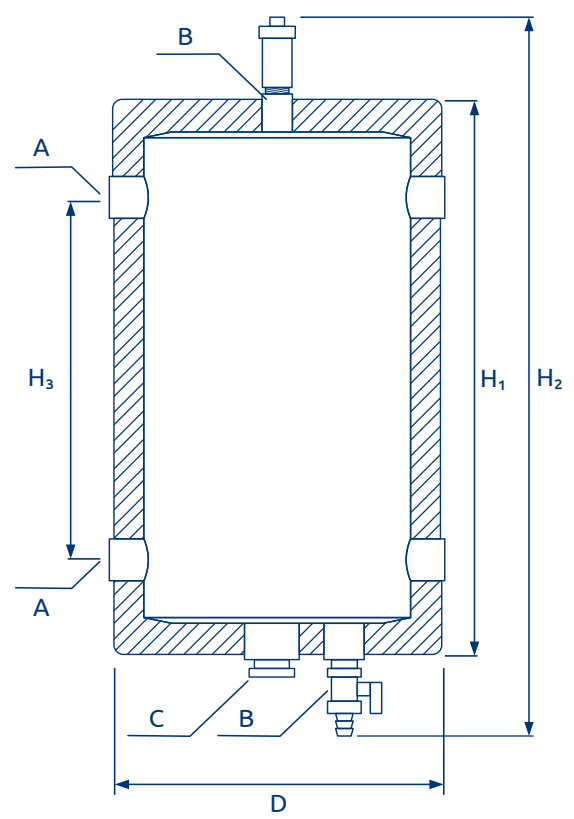
- DHW tank
- CH radiator
- release valve
- air vent



Universal spacing 125 mm

RGP - can be combined to create more central heating circuits. (remember the total water flow in the central heating system)





BHE buffer tanks are designed for use with cold or hot water. Their main purpose is to store a sufficient amount of heating medium and consequently reduce the number of starts and stops of the main heat source - mainly the heat pump. An additional function is to act as a hydraulic low loss header between the heating circuit and the central heating system circuit.

Description	code	Capacity	A	B	C*	H <sub>1</sub>	H <sub>2</sub>	D
BHE 12	714012	12 l	1" Int.	½" Int.	6/4" Int.	450	585	255
BHE 24	714024	24 l	5/4" Int.	½" Int.	6/4" Int.	850	985	255

Connector C\* enables the assembly of a heating element (not supplied with the BHE buffer)

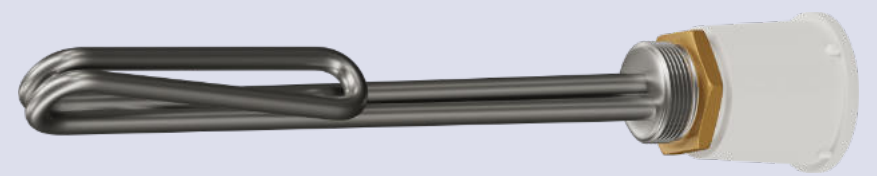


**NEW**  
autumn 2023

- Ideal for use with heat pumps
- Compatible with pump groups
- Vertical and horizontal operation possible
- Possibility to connect two heat sources

### Optional connection of heating element

All BHE buffers can be fitted with a compatible heating element with DN40 male thread. Please ensure that its maximum length is not higher than the internal dimension of the BHE metal body.

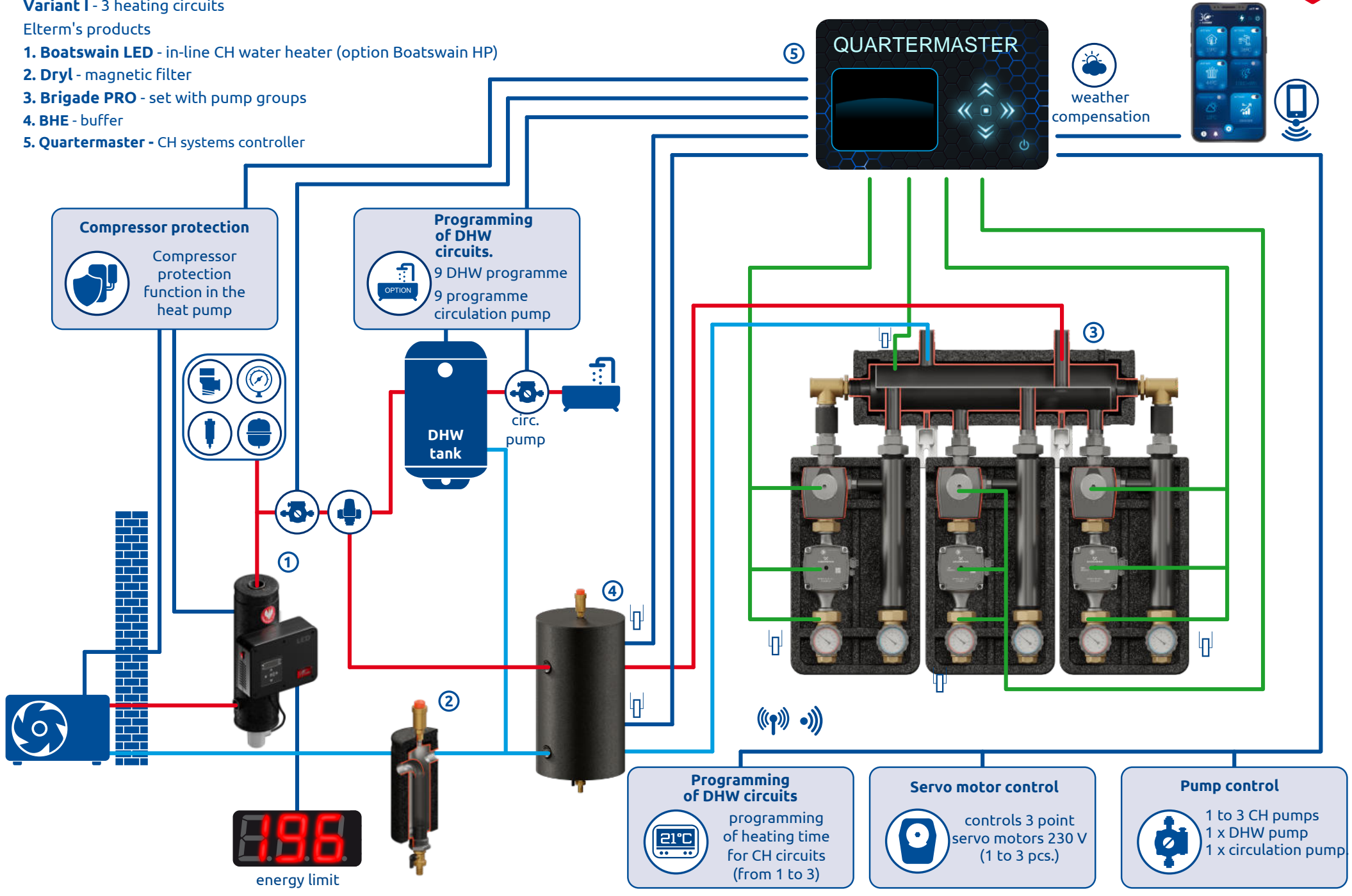




**Variant I - 3 heating circuits**

Elterm's products

- 1. Boatswain LED - in-line CH water heater (option Boatswain HP)
- 2. Dryl - magnetic filter
- 3. Brigade PRO - set with pump groups
- 4. BHE - buffer
- 5. Quartermaster - CH systems controller



**Compressor protection**

Compressor protection function in the heat pump

**Programming of DHW circuits.**

9 DHW programme  
9 programme circulation pump

**Programming of DHW circuits**

programming of heating time for CH circuits (from 1 to 3)

**Servo motor control**

controls 3 point servo motors 230 V (1 to 3 pcs.)

**Pump control**

1 to 3 CH pumps  
1 x DHW pump  
1 x circulation pump

**QUARTERMASTER**

weather compensation

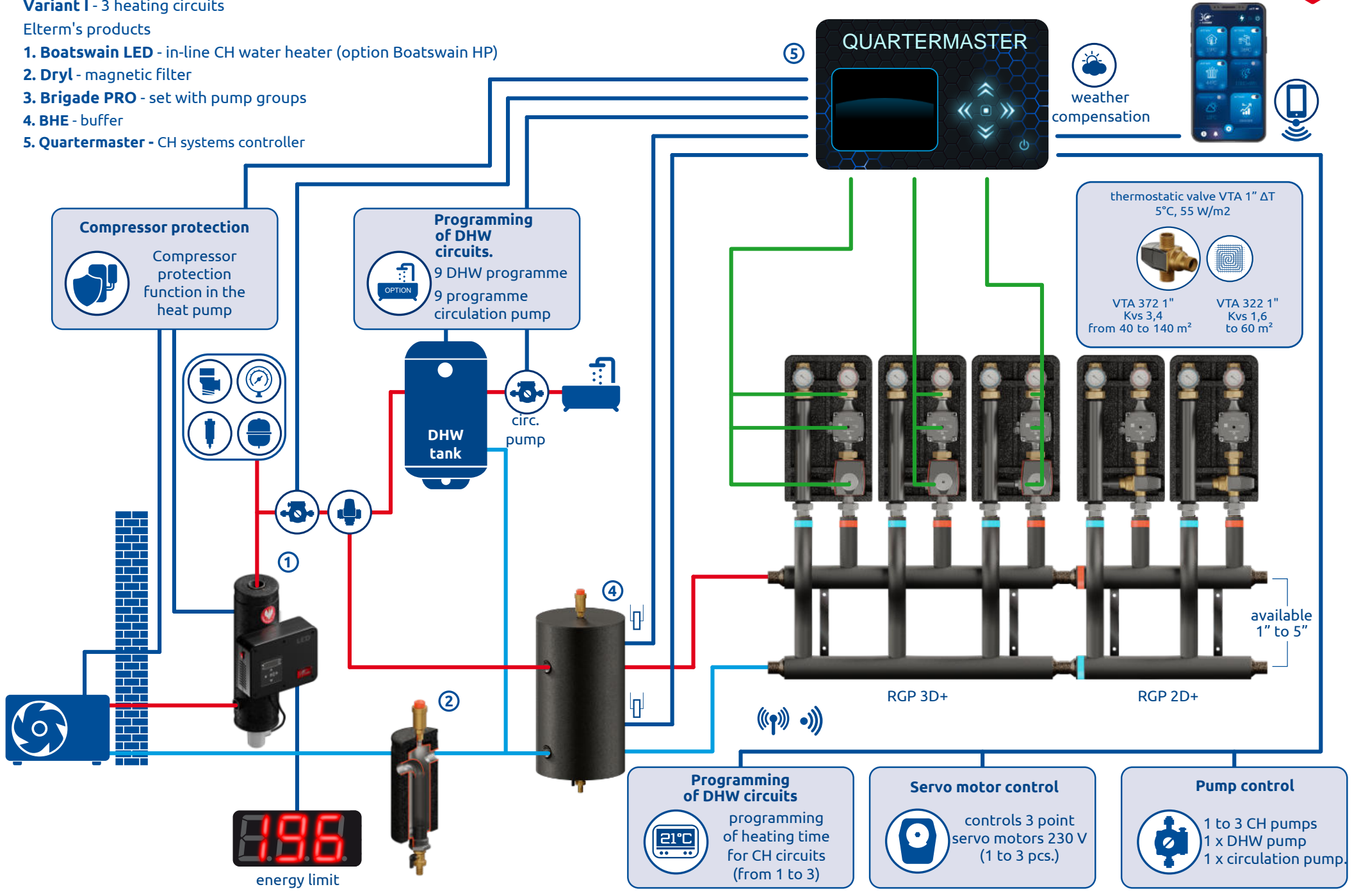
19.6  
energy limit



**Variant I - 3 heating circuits**

Elterm's products

- 1. Boatswain LED - in-line CH water heater (option Boatswain HP)
- 2. Dryl - magnetic filter
- 3. Brigade PRO - set with pump groups
- 4. BHE - buffer
- 5. Quartermaster - CH systems controller



**Compressor protection**

Compressor protection function in the heat pump

**Programming of DHW circuits.**

9 DHW programme  
9 programme circulation pump

thermostatic valve VTA 1" ΔT 5°C, 55 W/m²

VTA 372 1" Kvs 3,4 from 40 to 140 m²

VTA 322 1" Kvs 1,6 to 60 m²

**Programming of DHW circuits**

programming of heating time for CH circuits (from 1 to 3)

**Servo motor control**

controls 3 point servo motors 230 V (1 to 3 pcs.)

**Pump control**

1 to 3 CH pumps  
1 x DHW pump  
1 x circulation pump.

19.6  
energy limit

available 1" to 5"

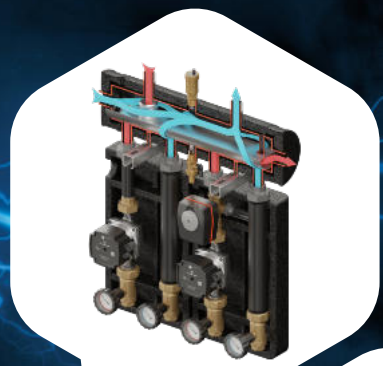


Other Elterm hydraulic fittings, patents, Polish legal protection, utility models

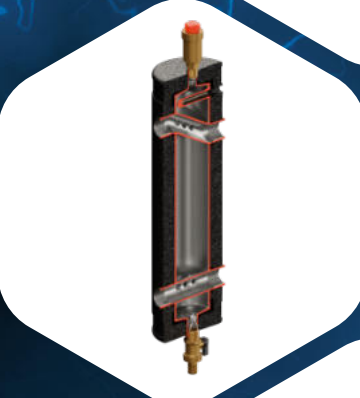
Distribution low loss header SKE



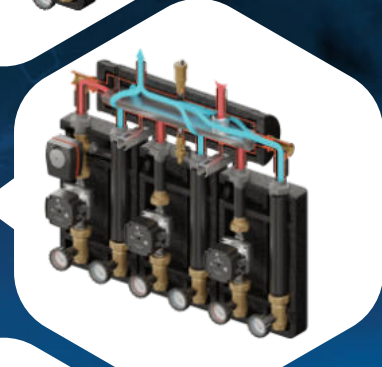
Company set 2D+



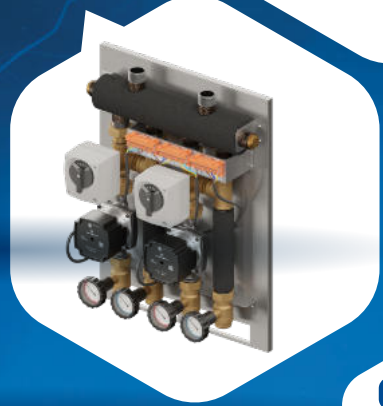
Low loss headers SHE



Company set 3D+



safety heat exchanger Guardian



Selection configurator  
For pump sets  
**Company, Squadron**  
on 2 & 3 circuits



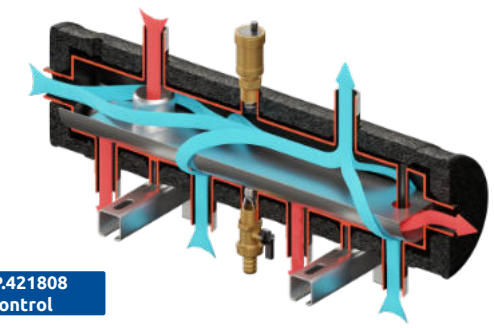
Selection configurator  
for pump groups and  
**Brigade** sets

Ideal to work with:



Patent P.421808  
Flow control

Appears in:  
• SHE-CD  
• SHE-CDI

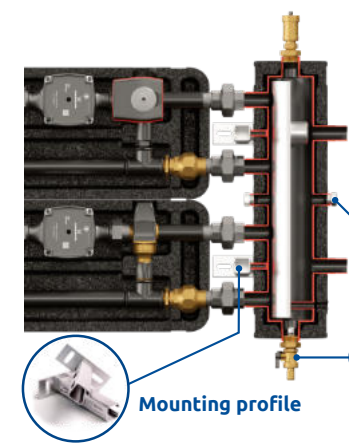


Patent P.421240  
Flow control

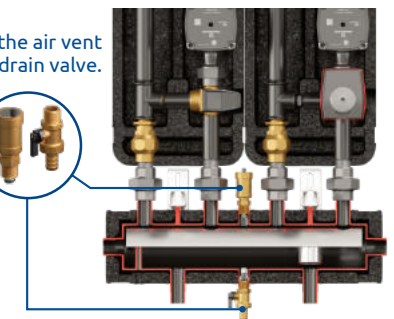
Appears in:  
• SKE Condens  
• Company  
• Squadron

Company - side operation

heating circuits upwards



Replace the air vent and drain valve.



**In Company price Adaptation set**  
- 2 x reduction  
1"Ext. - 1/2" Int.  
- 2 x cap 1/2"

Mounting profile





Basic **LED** automation

Advanced **LCD** automation



in boiler price included: wire control  
 house icon room      sun icon weather

Boilers catalogue available at [www.elterm.pl](http://www.elterm.pl)

Datasheet available at [www.elterm.pl](http://www.elterm.pl)

**OPTION**

	DHW set code 100003		Priority DHW On/Off	
In price included: LED LCD		Threeway solenoid valve + servo motor		Temp. sensor to DHW storage tank
only LCD		Weekly DHW prog.		Weekly circulation pump prog.

Radio control - 3 variants to choose

	room and weather radio control code 100009
	radio control - room only code 100010
	radio control - weather only code 100011

Module + web application  
code 100004

**Controls all boiler functions:**

- monitoring all temperatures
- possibility to change remote temperatures
- view temperature graphs

**NEW**

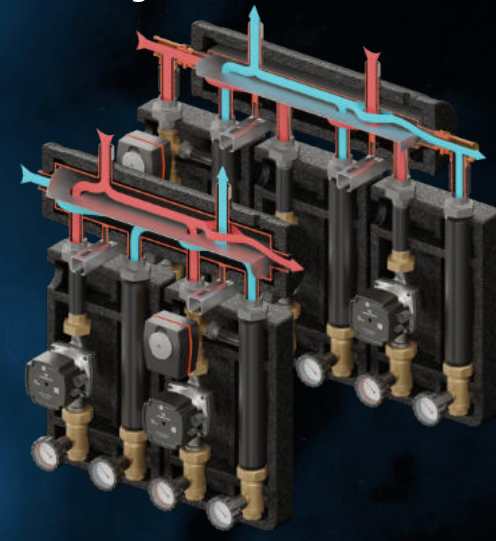
	Packet to buffer code 100013		2 x sensor to buffer
	Weekly buffer programme		

**Pump group**



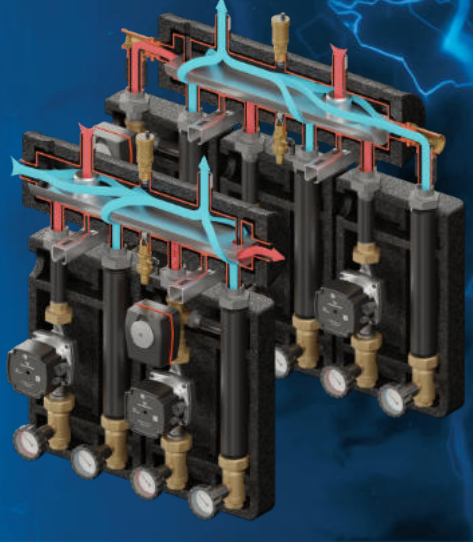
buffer

**Brigade set 2 & 3D+**

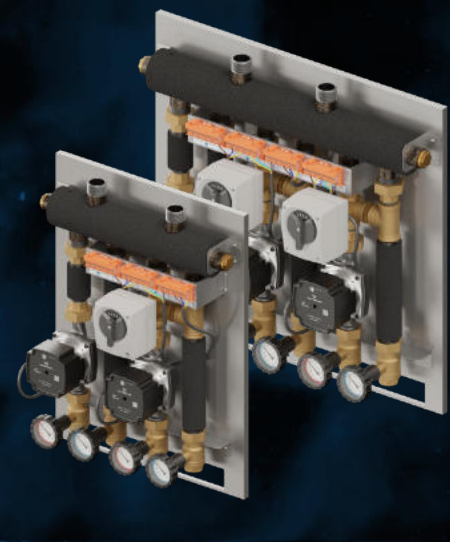


buffer

**Company sets 2 & 3D+**



**Squadron sets 2 & 3D+**



## Hydraulic fitting selection configurators

### Check out how easy it is



mobile



on our website  
[www.elterm.pl](http://www.elterm.pl)



buffer



heat pump



Electric heating boiler



Gas-fired boiler



solid fuel boiler