



30 
YEARS **ELTERM**[®]

Elterm product catalogue
in systems with central
heating boilers.



version 2023.08



Sets Squadron 2D+



PP-4-5

Sets Squadron 3D+



PP-4-5



Pump group

PP-14



270°

Sets Company 2D+



PP-6-7

Sets Company 3D+



PP-8-9



three-way progressive rotary valve
VRG 432 1" Kvs to 8.0
+ servomotor ARA

Only here!!!

thermostatic valve VTA 1"
VTA 322 Kvs 1,6
VTA 372 Kvs 3,4

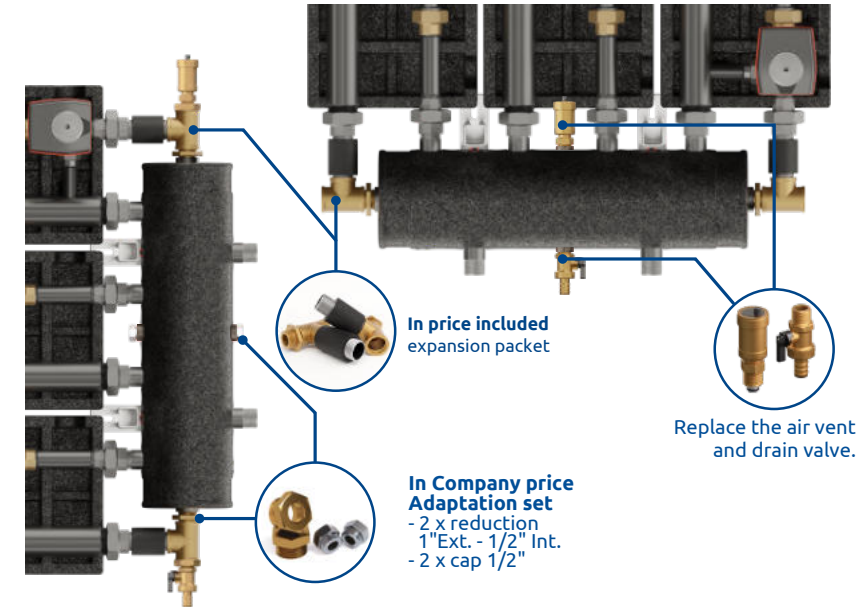


1 set - 3 positions

Company 2D+
Company 3D+

side operation

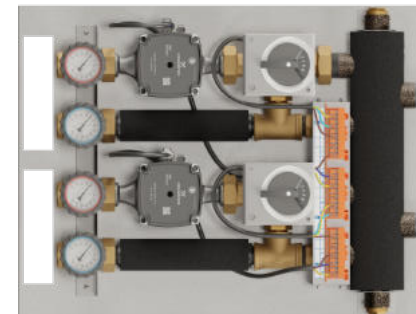
heating circuits upwards



Squadron

side circuits

heating circuits upwards



Guardian



pp. 19



pp. 16-17

Low loss header
SHE-OC
SHE-DC

Quartermaster controller



Quartermaster
product code
811246



Module + web
application
code 100004

Example diagrams pp.
20 & 21

In controller price

wired room and weather controls

1 or 2 heat source

Programming of CH circuits.

programming of heating time for CH circuits (from 1 to 3)

Compressor protection

Compressor protection function in the heat pump

Control of servo motors

controls 3 pts. servo motors 230 V (from 1 to 3 pcs.)

DHW circuit prog.

9 DHW programmes.
9 programmes circulation pumps

Function AUTO-SUMMER

5 independent temp. sensors

Pump controls

1 to 3 CH pumps
1 x DHW pump
1 x circulation pump.

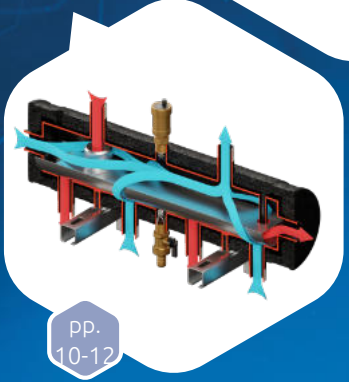


pp. 15

Dryl magnetic filters



pp. 13



Distribution low loss header
SKE-CD
SKE-2D

pp. 10-12



str. 13

Trade dress
Ru 069495

Dryl

Patent P.421240
Flow control

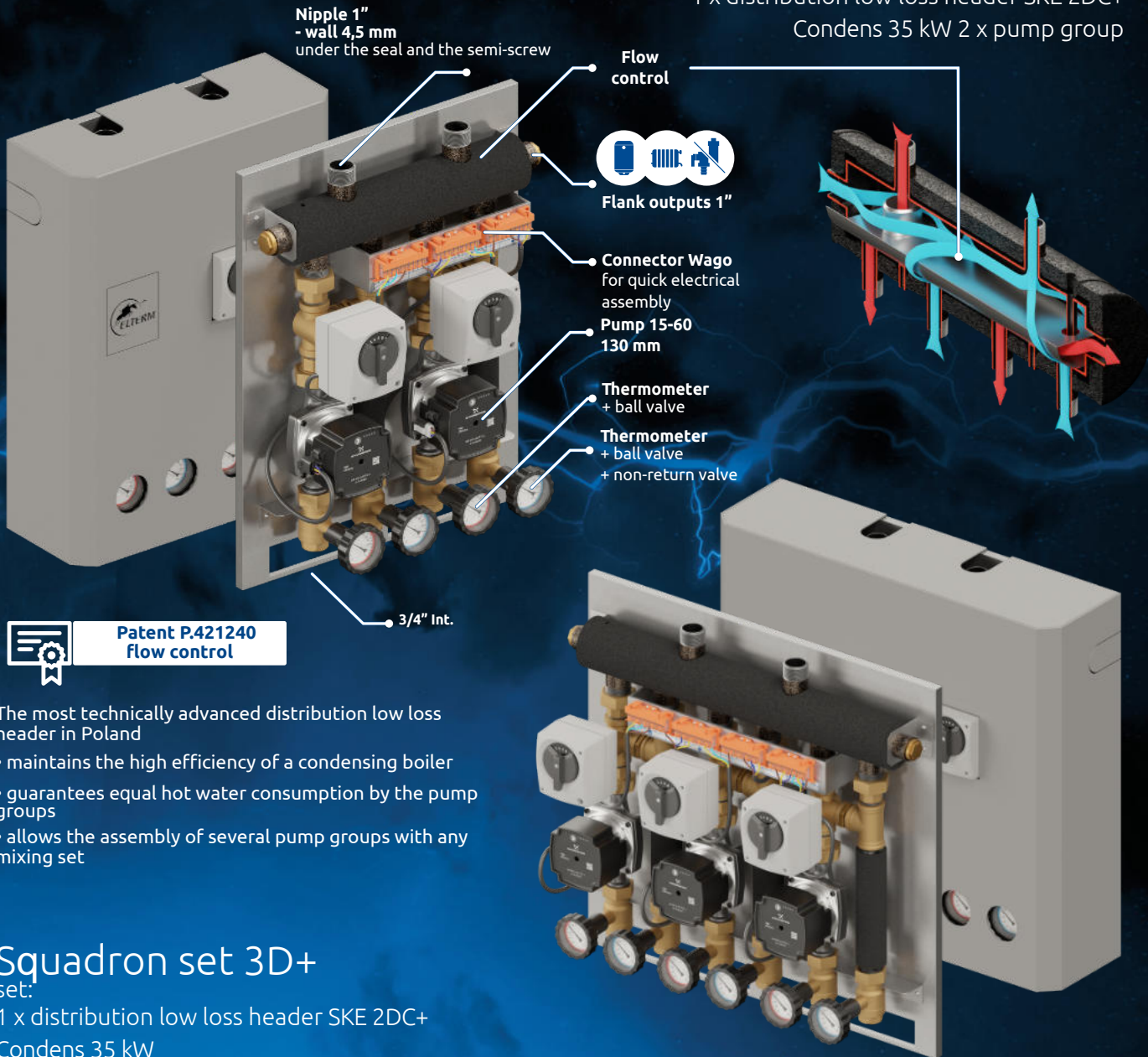
appears in:
SKE Condens
Company
Squadron



Squadron set 2D+

set:

1 x distribution low loss header SKE 2DC+
Condens 35 kW 2 x pump group



The most technically advanced distribution low loss header in Poland

- maintains the high efficiency of a condensing boiler
- guarantees equal hot water consumption by the pump groups
- allows the assembly of several pump groups with any mixing set

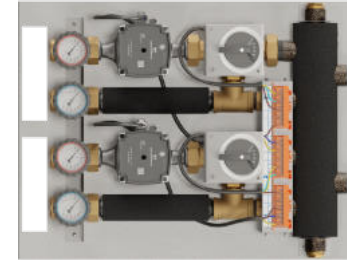
Squadron set 3D+

set:

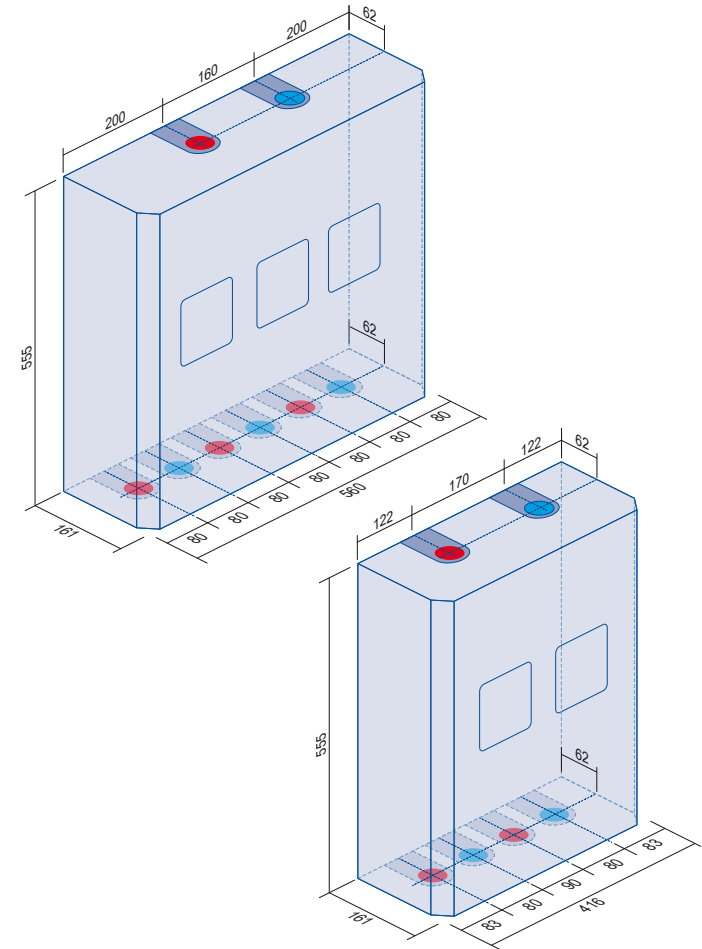
1 x distribution low loss header SKE 2DC+
Condens 35 kW
3 x pump group

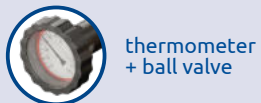
Squadron 2D+ Squadron 3D+

side circuits



heating circuits upwards

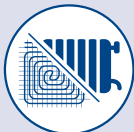




thermometer
+ ball valve



thermometer
+ ball valve
+ drain valve



rotary valve with
servomotor Kvs 6,3



mixing valve with
thermost. KVS 1.8



universal direct
- without rotary and
thermostatic valve

pump Grundfos

pump LFP

II
variants



 UNI 835480 835460	 UNI 835484 835464	 UNI 835370 835350	 UNI 835373 835353	 UNI 835384 835364	 UNI 835070 835050
 UNI 839000 838000	 UNI 839004 838004	 UNI 839044 838044	 UNI 839444 838444	 UNI 839003 838003	
 UNI 839033 838033	 UNI 839333 838333	 UNI 839043 838043	 UNI 839433 838433	 UNI 839443 838443	

Company set PRO 2D+

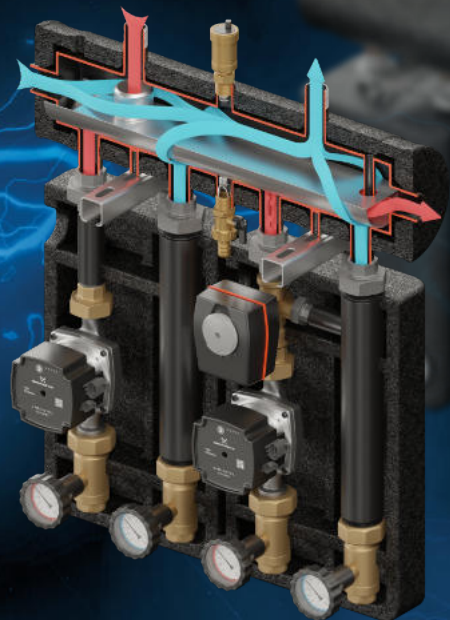
set:
 1 x distribution low loss header SKE 2DC+
 Condens 55kW
 2 x pump group PRO



thermometer
+ ball valve



thermometer
+ ball valve
+ non-return valve



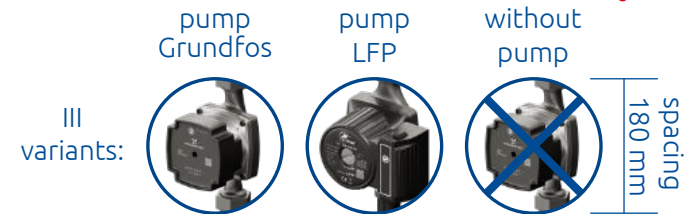
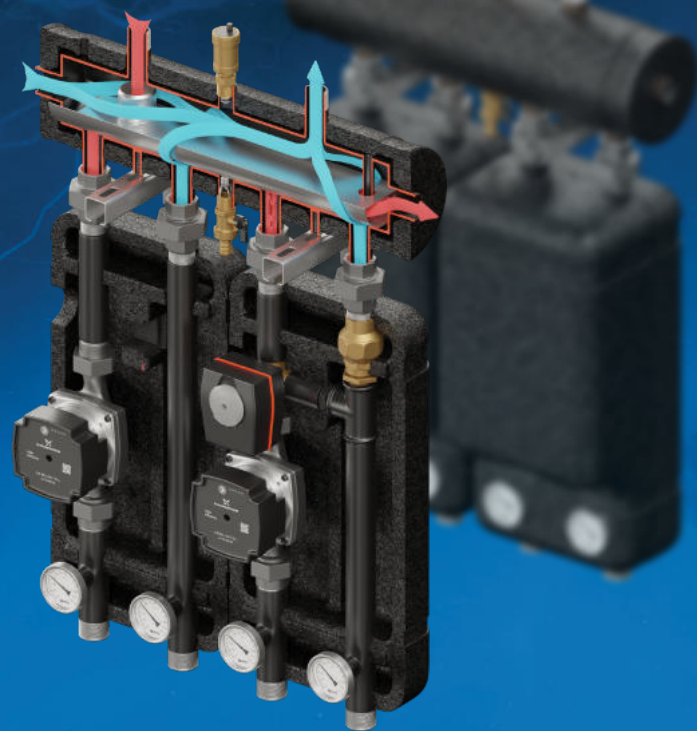
Patent P.421240
Flow control

The most technically advanced distribution low loss header in Poland

- maintains the high efficiency of a condensing boiler
- guarantees equal hot water consumption by the pump groups
- allows the assembly of several pump groups with any mixing set

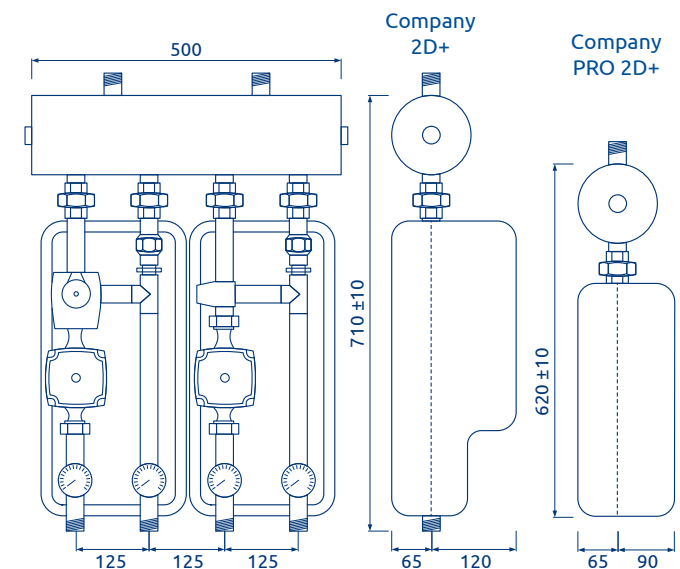
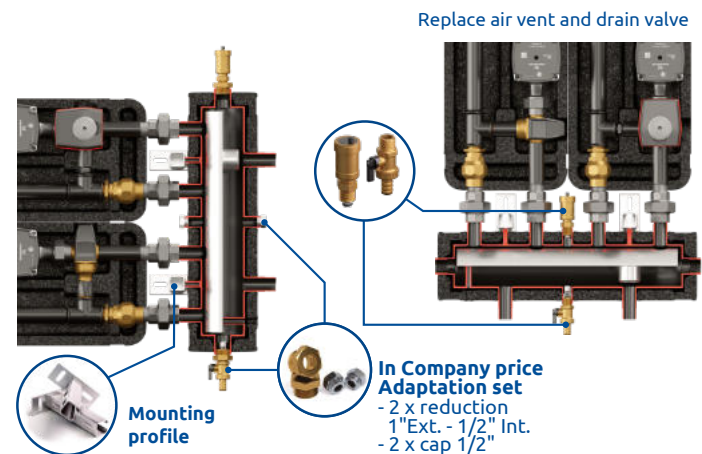
Company set 2D+

set:
 1 x distribution low loss header SKE 2DC+
 Condens 55kW
 2 x pump group



Company - flank work

heating circuits upwards



4 variants of pump groups in Company 2D+ & Company PRO 2D+ sets

PRO

- three-way progressive rotary valve VRG 432 1" Kvs to 8.0 + servomotor ARA
- three-way progressive rotary valve VRG 432 1" Kvs to 8.0 + without servomotor
- to 280 m² ΔT 5°C, 55 W/m²
- to 50kW ΔT 15°C

PRO

- thermostatic valve VTA 322 1" Kvs 1,6 to 60 m² ΔT 5°C, 55 W/m²
- thermostatic valve VTA 372 1" Kvs 3,4 from 40 to 140 m² ΔT 5°C, 55 W/m²

PRO

- universal direct - without rotary and thermostatic valve

III variants

- pump Grundfos
- pump LFP
- without pump

	No. 1			No. 2			No. 3			No. 4		
Company	855480	855460	855410	855484	855464	855414	855470	855450	855400	855070	855050	855000
Company PRO												
	No. 5			No. 6			No. 7			No. 8		
		+			+			+			+	
	VRG + ARA		VTA 372	VRG + ARA		VTA 322	VTA 372		UNI	VTA 322		UNI
									UNI			UNI
Company	855584	855564	855514	855384	855364	855314	855570	855550	855500	855370	855350	855300
Company PRO												
	No. 9			No. 10								
		+			+							
	VTA 372		VTA 372	VTA 322		VTA 322						
Company	855575	855555	855505	855373	855353	855303						
Company PRO												

Elterm hydraulic fittings selection configurator

mobile

on our website www.elterm.pl

scan

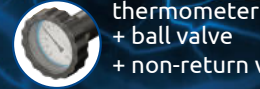
or click

Company set PRO 3D+

set:
 1 x distribution low loss header SKE 2DC+ Condens 55kW
 3 x pump group PRO
 1 x extension set



thermometer + ball valve



thermometer + ball valve + non-return valve

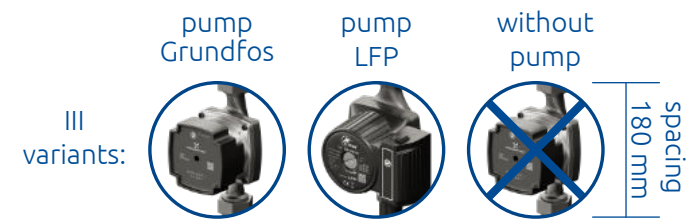
Patent P.421240
 flow control

The most technically advanced distribution low loss header in Poland

- maintains the high efficiency of the condensing boiler
- guarantees equal hot water consumption by the pump groups
- allows the assembly of several pump groups with any mixing valve

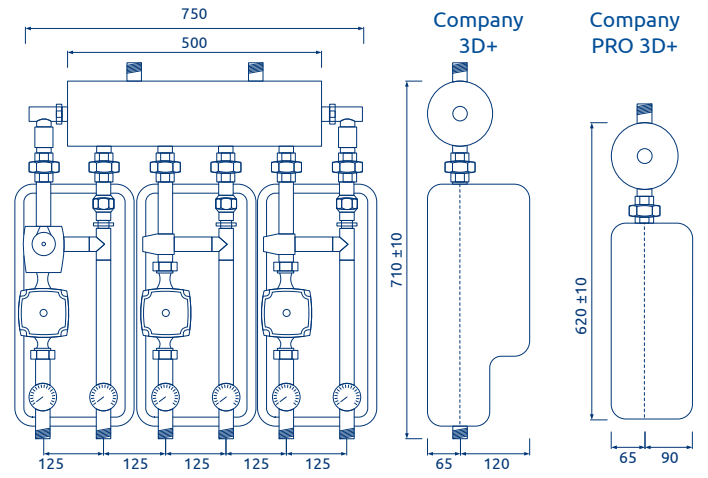
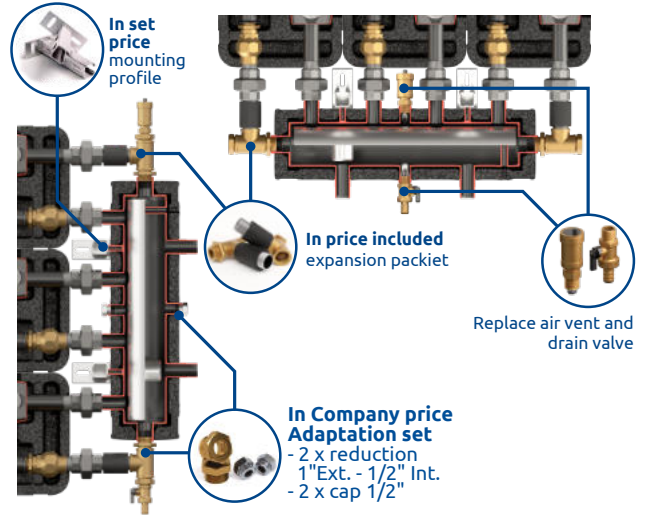
Company set 3D+

set:
 1 x distribution low loss header SKE 2DC+ Condens 55kW
 3 x pump group
 1 x expansion packet



Company - side operation

heating circuits upwards



4 variants of pump groups in Company 2D+ & Company PRO 2D+ sets

PRO

- three-way progressive rotary valve VRG 432 1" Kvs to 8.0 + servomotor ARA
- three-way progressive rotary valve VRG 432 1" Kvs to 8.0 + without servomotor
- to 280 m² ΔT 5°C, 55 W/m²
- to 50kW ΔT 15°C

PRO

- thermostatic valve VTA 322 1", Kvs 1,6 to 60 m² ΔT 5°C, 55 W/m²
- thermostatic valve VTA 372 1", Kvs 3,4 from 40 to 140 m² ΔT 5°C, 55 W/m²

PRO

- universal direct - without rotary and thermostatic valve

III variants

pump Grundfos
 pump LFP
 without pump

	No. 1			No. 2			No. 3			No. 4		
Company	859004	858004	857004	859044	858044	857044	859444	858444	857444	859000	858000	857000
Company												
3D+	879004	878004	877004	879044	878044	877044	879444	878444	877444	879000	878000	877000
	No. 5 on sale			No. 6 on sale			No. 7 on sale			No. 8 on sale		
	VTA 372			VTA 372	VTA 372		VTA 372	VTA 372	VTA 372	VRG + ARA	VTA 372	
Company	859005	858005	857005	859055	858055	857055	859555	858555	857555	859054	858054	857054
Company												
3D+	879005	878005	877005	879055	878055	877055	879555	878555	877555	879054	878054	877054
	No. 9 on sale			No. 10 on sale			No. 11 on sale			No. 12 on sale		
	VTA 322			VTA 322	VTA 322		VTA 322	VTA 322	VTA 322	VRG + ARA	VTA 322	
Company	859003	858003	857003	859033	858033	857033	859333	858333	857333	859034	858034	857034
Company												
3D+	879003	878003	877003	879033	878033	877033	879333	878333	877333	879034	878034	877034

Patent P.421240
Flow control

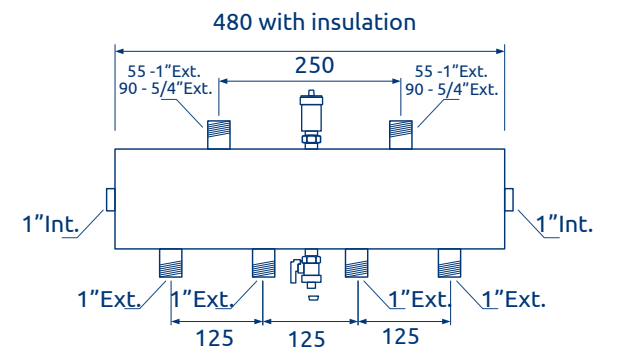
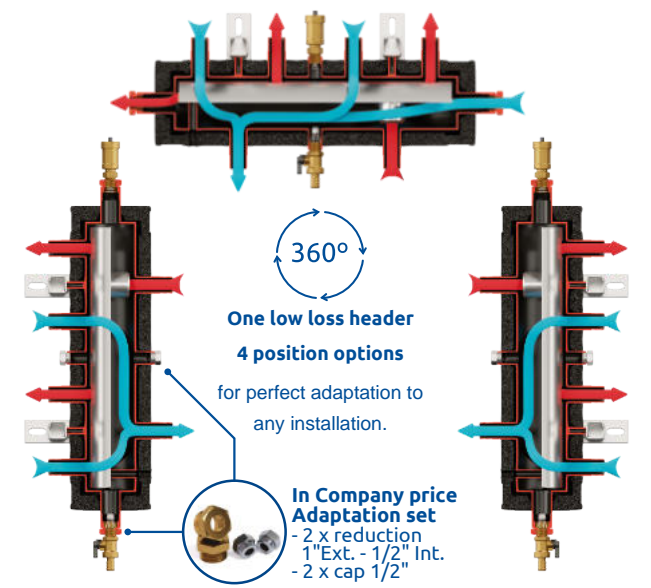


side output 1"

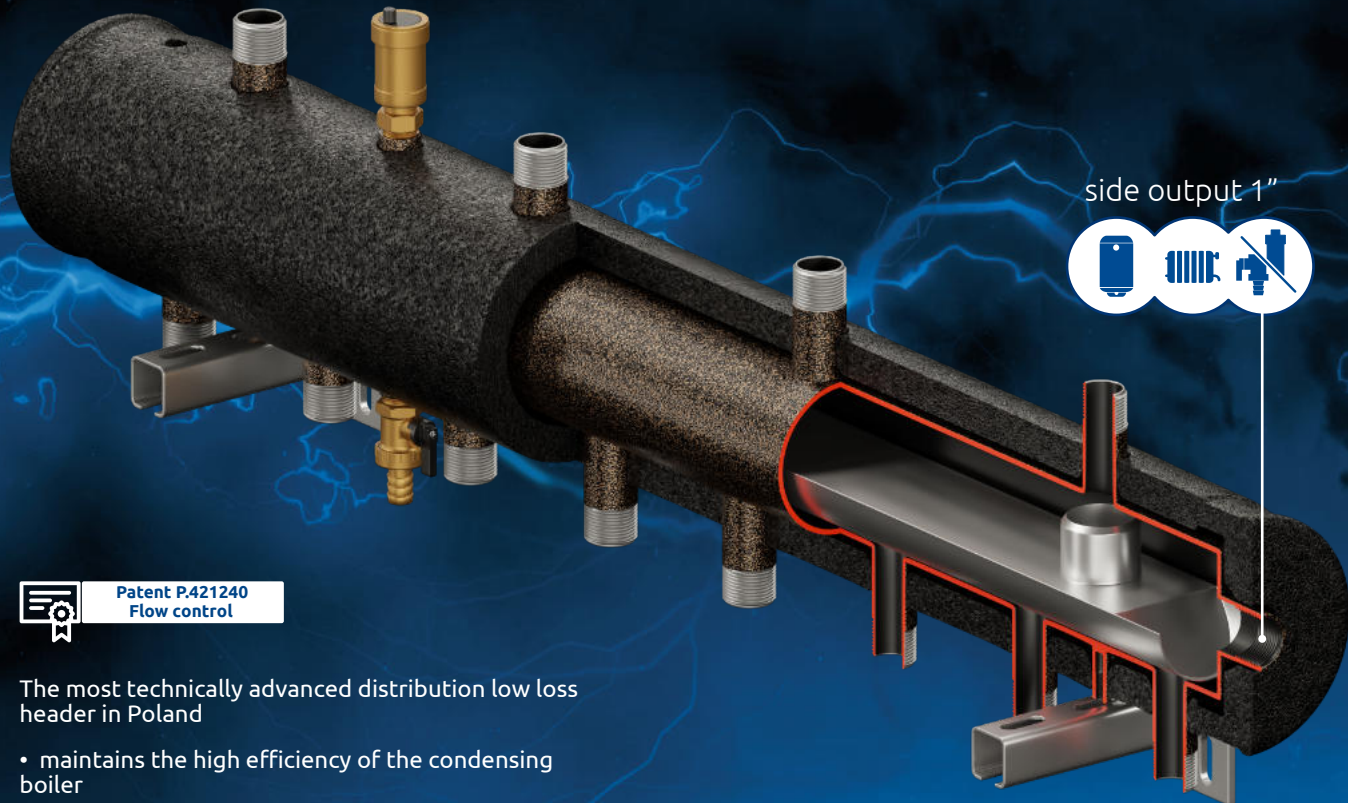


extension set
code 40001
- allows the assembly of
a third pump group

SKE 2DC+ Condens	55 kW	90 kW
Product code	432055	432090
max flow	2,3 m ³ /h	4,0 m ³ /h
max power at ΔT = 20	to 55 kW	to 90 kW



- flow control
- adaptation set
- air vent, drain valve
- magnetic separator
- insulation EPP



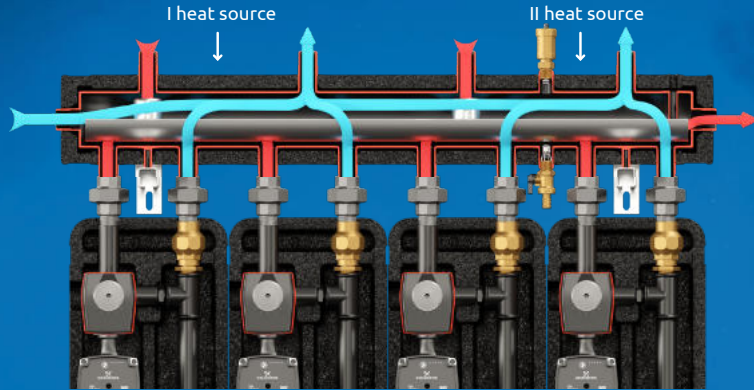
side output 1"

Patent P.421240
 Flow control

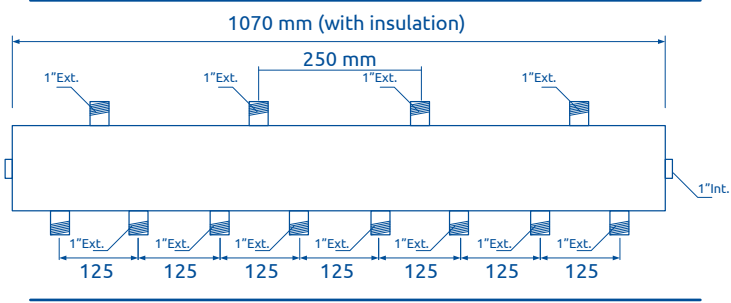
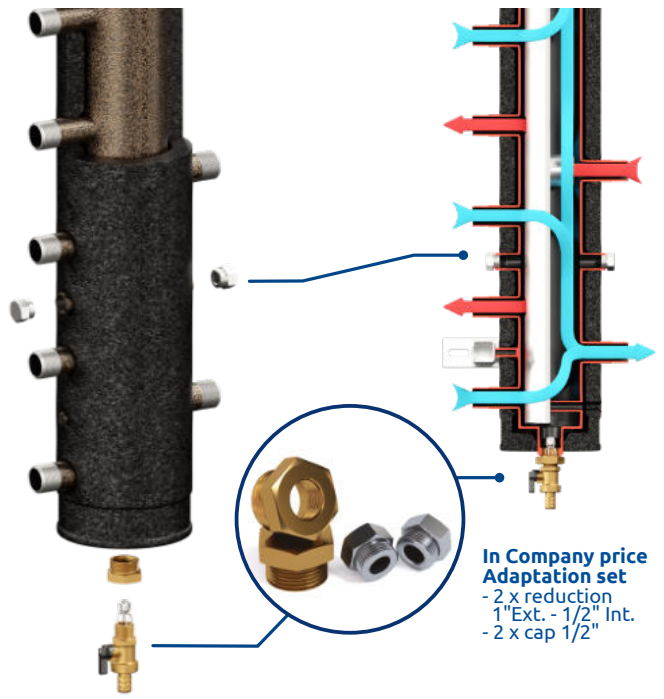
The most technically advanced distribution low loss header in Poland

- maintains the high efficiency of the condensing boiler
- guarantees equal hot water consumption by the pump groups
- allows the installation of several pump groups with any mixing valve
- INOX flow control
- for operation with 1 or 2 heat sources

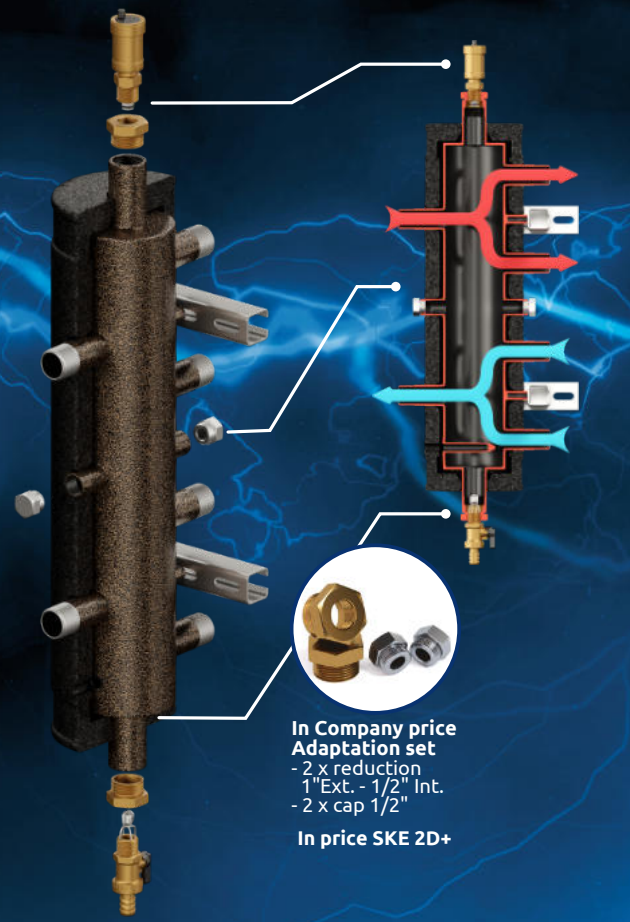
Example set: SKE 4DC+ Condens 96 kW
 + 4 x Elterm pump group



SKE 4DC+ Condens 96 kW	
Product code	434096
max flow	4,0 m ³ /h
max power at ΔT = 20K	to 2 x 48 kW

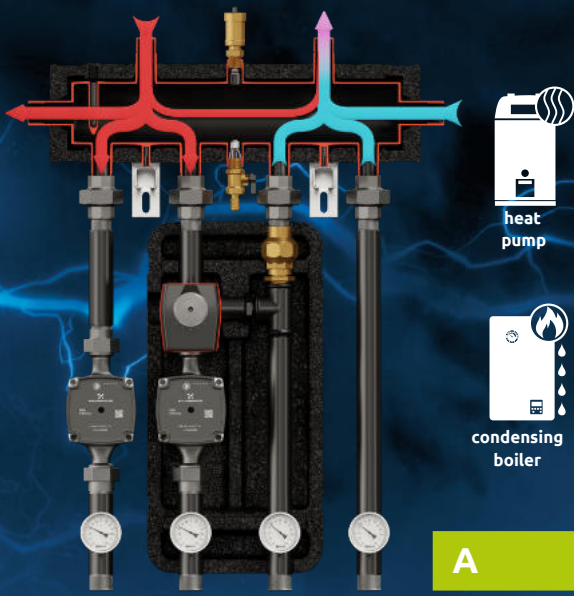


- flow control
- adaptation set
- air vent, drain valve
- magnetic separator
- insulation EPP



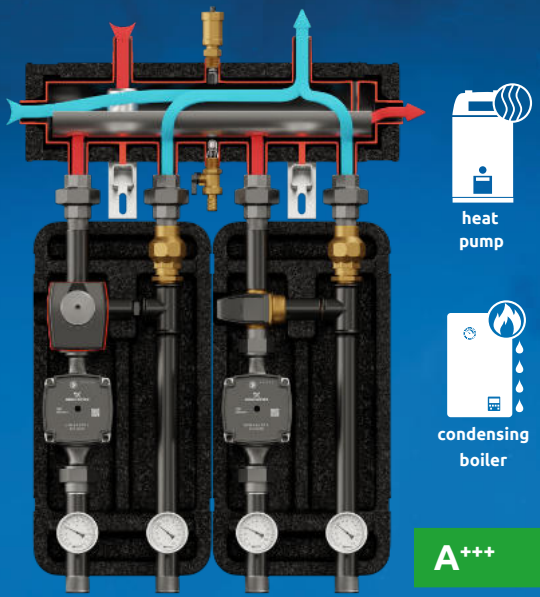
**In Company price
Adaptation set**
- 2 x reduction
1"Ext. - 1/2" Int.
- 2 x cap 1/2"
In price SKE 2D+

SKE 2D+ correct connection



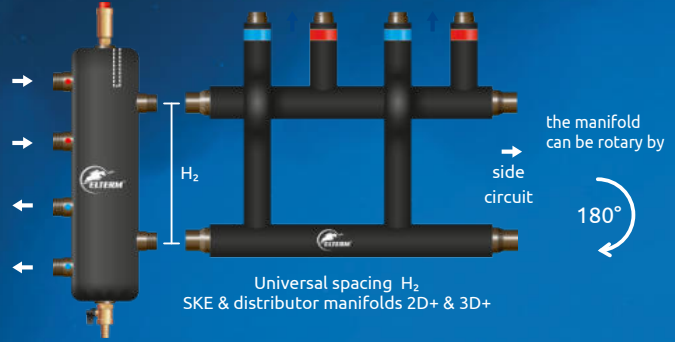
A

SKE 2DC+ correct connection

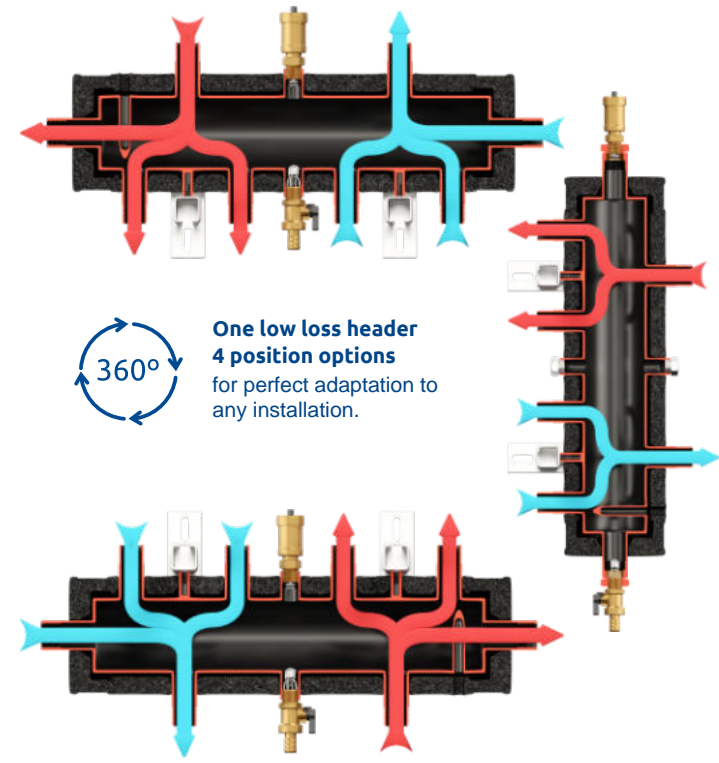


A+++

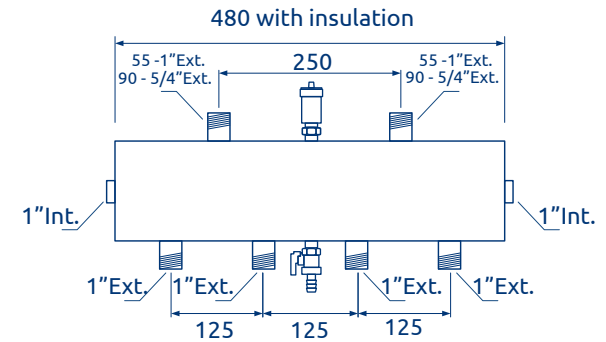
Vertical version for 2 heat sources + distributor manifolds



Universal spacing H₂
SKE & distributor manifolds 2D+ & 3D+



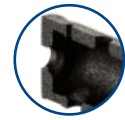
**One low loss header
4 position options**
for perfect adaptation to
any installation.



adaptation set



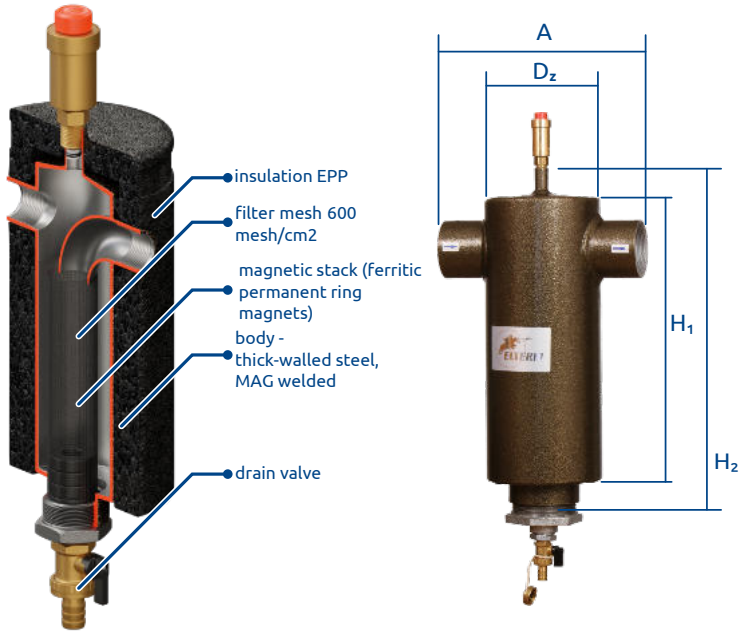
air vent, drain valve



insulation EPP



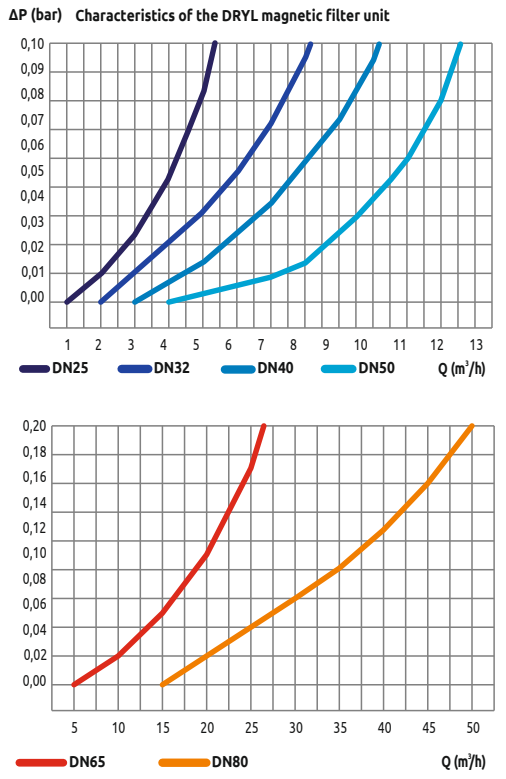
mounting set



- Effective filter net with more than 600 meshes per cm²
- Effective venting
- Effective removal of mechanical impurities
- Effective removal of ferromagnetic impurities
- Easy and quick cleaning of the filter screen and magnetic stack

	DRYL 37 OC 25/65	DRYL 60 OC 32/80	DRYL 95 OC 40/100	DRYL 144 OC 50/125	DRYL 275 OC 65/150	DRYL 365 OC 80/200
Product code	712037	712060	712095	712144	712275	712365
Insulation	YES	YES	YES	YES	YES	YES
Product code	DRYL 37 25/65	DRYL 60 32/80	DRYL 95 40/100	DRYL 144 50/125		
Insulation	NO	NO	NO	NO		
Max. power at ΔT = 15K	to 37 kW	to 60 kW	to 95 kW	to 144 kW	to 275 kW	to 365 kW
Connection DN	25-1" Int.	32-1¼" Int.	40-1½" Int.	50-2" Int.	Flange 2½" (DN65 PN16)	Flange 3" (DN80 PN16)
Flow Q _{max}	2,1 m ³ /h	3,5 m ³ /h	5,4 m ³ /h	8,3 m ³ /h	16,0 m ³ /h	21,2 m ³ /h
Temp. max.	110°C	110°C	110°C	110°C	110°C	110°C
Weight	2,4 kg	3,3 kg	4,8 kg	7,4 kg	19,5 kg	30,0 kg
Capacity V	0,7 l	1,3 l	2,4 l	4,0 l	7,1 l	15,7 l
Nominal pressure	6 bar	6 bar	6 bar	6 bar	6 bar	6 bar
D _z mm	76,1 x	88,9 x 3,2	114 x	133 x 4	159 x 4	219,1 x 4
A mm	158	180	205	235	340	400
H ₁ mm	204	248	298	325	400	500
H ₂ mm	260	305	365	385	470	570

Trade dress
Ru 069495



Stage 1 - CENTRAL FILTRATION

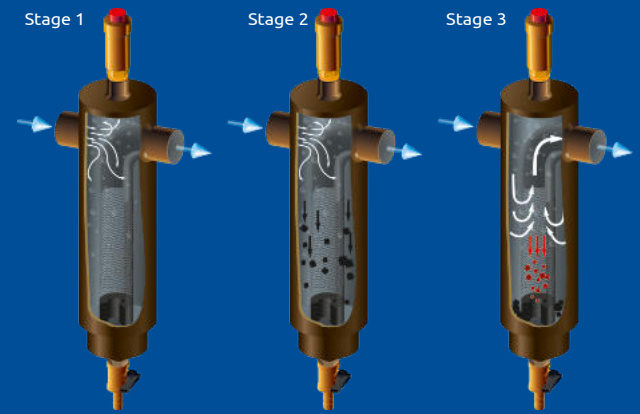
- The central heating water stream takes on a swirling motion and is broken up by the Hamburg elbow. Precipitation of air bubbles takes place.

Stage 2 - SEDIMENTATION

- The water in the filter body strongly slows down in velocity, mechanical impurities >0.125 mm fall by gravity in front of the mesh filter.

Stage 3 - MECHANICAL FILTRATION ON MESH + MAGNETIC

- The water passes through a mesh filter. Ferro-magnetic impurities <0.125 mm are caught by the mesh stack. As the water passes through the dense mesh, an essential stage of air particle separation takes place.





Pump group PRO



thermometer + ball valve



thermometer + ball valve + non-return valve



UNI

Pump group



UNI

							Product code	Product code
	pump Grundfos 25/7	pump LFP 25/6	without pump (180mm)	rotary valve VRG ESBE	mixing valve VTA ESBE	valve + servomotor ESBE (set.)	Pump group PRO	Pump group
VRG 432 Kvs 8,0	YES			YES		YES	629480	625480
VRG 432 Kvs 8,0		YES		YES		YES	629460	625460
VRG 432 Kvs 8,0	YES			YES			629470	625470
VRG 432 Kvs 8,0		YES		YES			629450	625450
VRG 432 Kvs 8,0			YES	YES		YES	629410	625410
VRG 432 Kvs 8,0			YES	YES			629400	625400
VTA 372 Kvs 3,4	YES				YES		629570	625570
VTA 372 Kvs 3,4		YES			YES		629550	625550
VTA 372 Kvs 3,4			YES		YES		629500	625500
VTA 322 Kvs 1,6	YES				YES		629370	625370
VTA 322 Kvs 1,6		YES			YES		629350	625350
VTA 322 Kvs 1,6			YES		YES		629300	625300
Direct Universal	YES						629070	625070
Direct Universal		YES					629050	625050
Direct Universal			YES				629000	625000



Three-way progressive rotary valve VRG 432 1" Kvs to 8.0 + servomotor ARA



Three-way progressive rotary valve VRG 432 1" Kvs to 8.0 + without servomotor



to 280 m² ΔT 5°C, 55 W/m²

to 50kW ΔT 15°C



thermostatic valve VTA 322 1", Kvs 1,6 to 60 m² ΔT 5°C, 55 W/m²



20-43°C



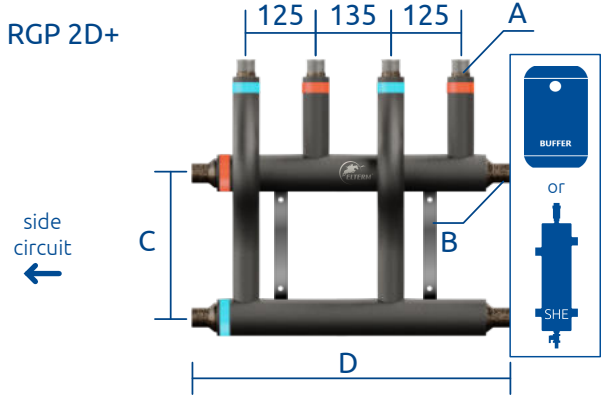
thermostatic valve VTA 372 1", Kvs 3,4 from 40 to 140 m² ΔT 5°C, 55 W/m²



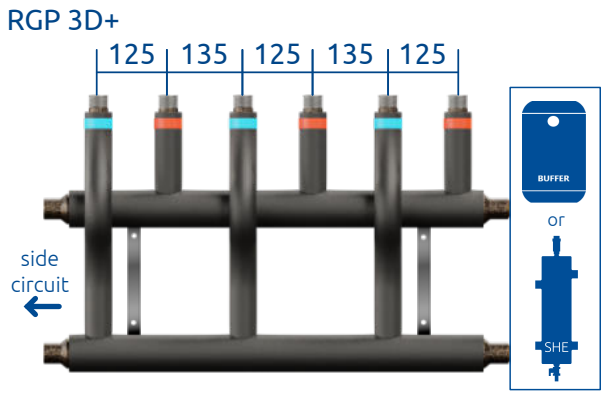
20-55°C

Direct universal - without rotary and thermostatic valve

UNI

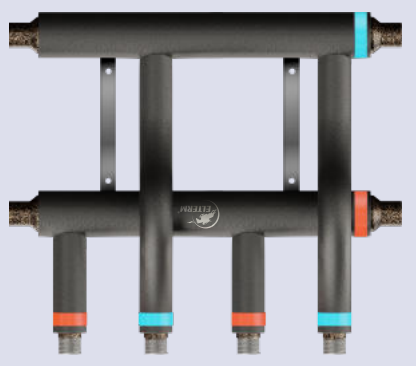
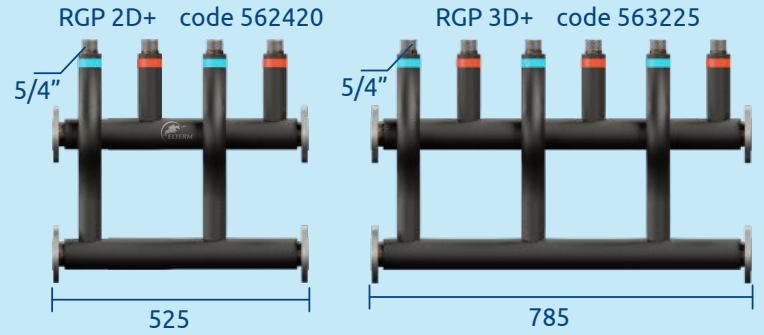
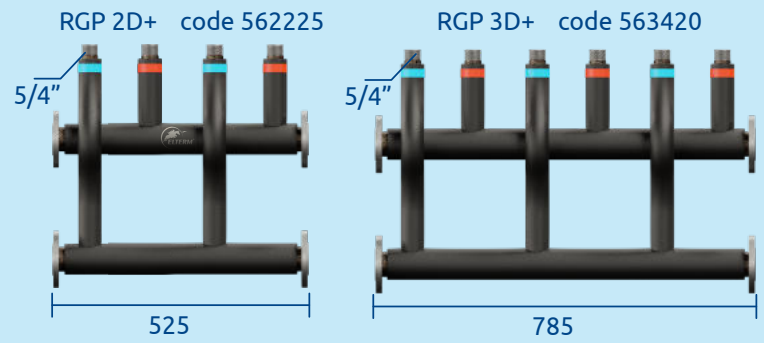


Code	A	B	C	D	solar insulation
512040	1" Ext.	1" Int.	250 mm	605 mm	YES
512070	1" Ext.	5/4" Int.	300 mm	605 mm	YES
512100	1" Ext.	6/4" Ext.	350 mm	525 mm	YES
512156	1" Ext.	2" Ext.	350 mm	595 mm	YES
562156	5/4" Ext.	2" Ext.	350 mm	595 mm	YES

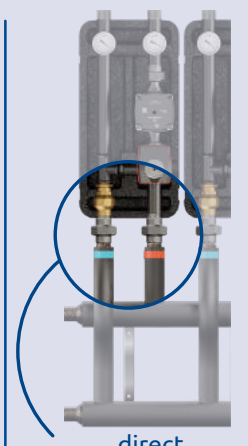


CODE	A	B	C	D	solar insulation
513040	1" Ext.	1" Int.	250 mm	865 mm	YES
513070	1" Ext.	5/4" Int.	300 mm	865 mm	YES
513100	1" Ext.	6/4" Ext.	350 mm	785 mm	YES
513156	1" Ext.	2" Ext.	350 mm	855 mm	YES
563156	5/4" Ext.	2" Ext.	350 mm	855 mm	YES

Customised flanged manifolds. Flange PN 16



180°
RGP - can be rotary by 180°



side circuit
←

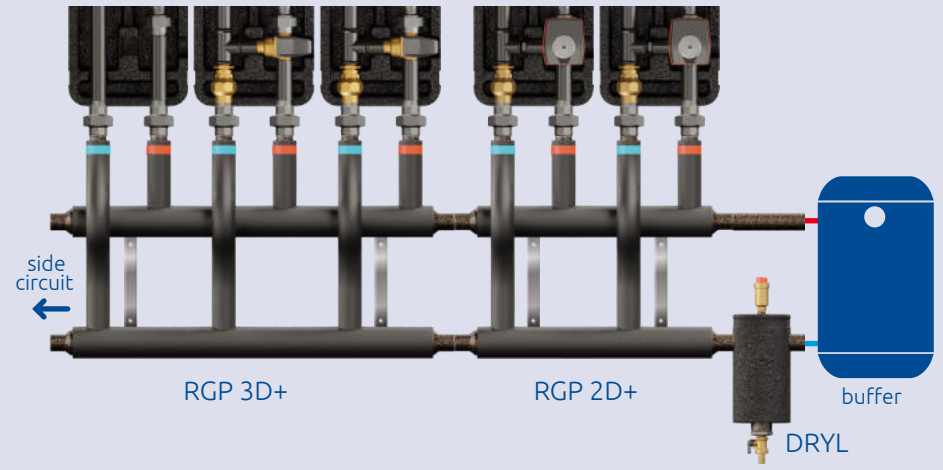
Possibility of connection additional circuit, e.g:

- DHW storage tank
- CH radiator
- release valve
- air vent



direct universal 125 mm

RGP - can be combined to create more central heating circuits. (remember the total water flow in the central heating system)





SHE low loss header is used to separate the boiler circuit from the heating circuit.

They are used in systems with one or more heat sources and especially those consisting of more than one heating circuit.



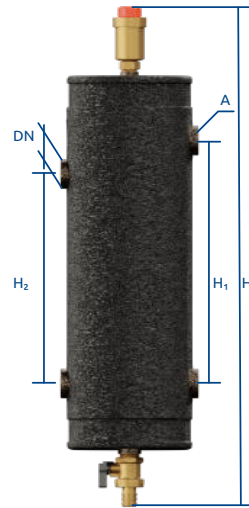
Advantages of using low loss headers:

- independent operation of the individual circuits
- correct operation of pumps
- venting the central heating system

Correctly matched body and connection diameters optimise flow rates.

V max 1 in connections = 1,2 m/s

V max 2 in body = 0,2 m/s



insulated version	SHE 40-OC 25/65	SHE 70-OC 32/80	SHE 100-OC 40/100	SHE 115-OC 50/100	SHE 156-OC 50/125
Product code	402040	402070	402100	402115	402156
Max. power (ΔT=15K)	40 kW	70 kW	100 kW	115 kW	156 kW
Max. power (ΔT=20K)	55 kW	90 kW	135 kW	150 kW	210 kW
Connection (DN) A	25 - 1"Int.	32 - 1 1/4"Int.	40 - 1 1/2"Ext.	50 - 2"Ext.	50 - 2"Ext.
Max. flow	2,3 m³/h	4,0 m³/h	5,7 m³/h	6,6 m³/h	9,0 m³/h
Max. temperature	110°C	110°C	110°C	110°C	110°C
Nominal pressure	6 bar	6 bar	6 bar	6 bar	6 bar
Capacity V	1,4 l	2,4 l	3,7 l	4,3 l	6,7 l
P x V (bar x l)	8,4	14,4	22,2	25,8	40,2
H ₁	290 mm	340 mm	340 mm	400 mm	400 mm
H ₂	250 mm	300 mm	300 mm	350 mm	350 mm
H _c	600 mm	670 mm	670 mm	745 mm	745 mm

Flanged low loss header SHE-OC

insulated version	SHE 225-OC 65/150	SHE 420-OC 80/200	SHE 435-OC 100/200	SHE 700-OC 100/250	SHE 750-OC 125/250
Product code	402225	402420	402435	402700	402750
Max. power (ΔT=15K)	225 kW	420 kW	435 kW	700 kW	750 kW
Max. power (ΔT=20K)	300 kW	560 kW	580 kW	935 kW	1000 kW
Flange DN (PN16)	65-2 1/2"	80-3"	100-4"	100-4"	125-5"
Max. flow	12,9 m³/h	24,0 m³/h	25,2 m³/h	39,0 m³/h	41,5 m³/h
Max. temperature	110°C	110°C	110°C	110°C	110°C
Nominal pressure	6 bar	6 bar	6 bar	3 bar	3 bar
Capacity V	13,0 l	27,5 l	32,4 l	50,6 l	50,6 l
P x V (bar x l)	78,0	165,0	194,4	151,8	151,8
H ₁	565 mm	680 mm	650 mm	650 mm	650 mm
H ₂	500 mm	600 mm	550 mm	550 mm	550 mm
H _c	~915 mm	~1055 mm	~1210 mm	~1210 mm	~1210 mm

SHE-OC 435, 700, 750 kW on request



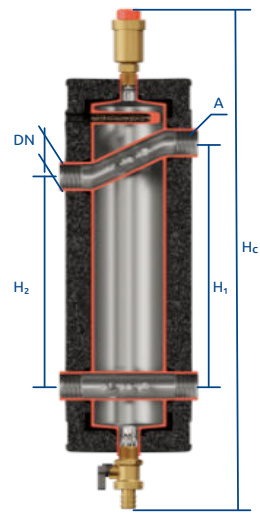
Patent P.421808
flow control

Maintains high efficiency of
condensing boiler and heat pump

Minimises the return of hot water
directly to the heat source



A+++



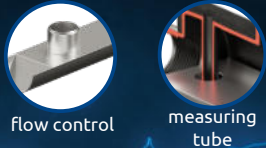
INOX	SHE-CDI 55 25/65	SHE-CDI 90 32/80	SHE-CDI 135 40/100	SHE-CDI 210 50/125	
Product code	404055	404090	404135	404210	
Max. power ($\Delta T=20K$)	55 kW	90 kW	135 kW	210 kW	

	SHE-CD 55 25/65	SHE-CD 90 32/80	SHE-CD 135 40/100	SHE-CD 150 50/100	SHE-CD 210 50/125
Product code	403055	403090	403135	403150	403210
Max. power ($\Delta T=20K$)	55 kW	90 kW	135 kW	150 kW	210 kW
Connection (DN) A	25-1"Int.	32 1¼"Int.	40 1½"Ext.	50 - 2"Ext.	50 - 2"Ext.
Max. flow	2,3 m³/h	4,0 m³/h	5,7m³/h	6,6 m3/h	9,0 m3/h
Max. temperature	110°C	110°C	110°C	110°C	110°C
Nominal pressure	6 bar	6 bar	6 bar	6 bar	6 bar
Capacity V	1,4 l	2,4 l	3,7 l	4,3 l	6,7 l
P x V (bar x l)	8,4	14,4	22,2	25,8	40,2
H ₁	290 mm	340 mm	340 mm	400 mm	400 mm
H ₂	250 mm	300 mm	300 mm	350 mm	350 mm
H _c	600 mm	670 mm	670 mm	745 mm	745 mm

	SHE-CD 300 65/150	SHE-CD 560 32/80
Product code	403300	403560
Max. power ($\Delta T=15K$)	300 kW	560 kW
Flange DN (PN 16)	65-2½"	80-3"
Max. flow	12,9 m³/h	24,0 m³/h
Max. temperature	110°C	110°C
Nominal pressure	6 bar	6 bar
Capacity V	13,0 l	27,5 l
P x V (bar x l)	78,0	165,0
H ₁	565 mm	680 mm
H ₂	500 mm	600 mm
H _c	~915 mm	~1055 mm

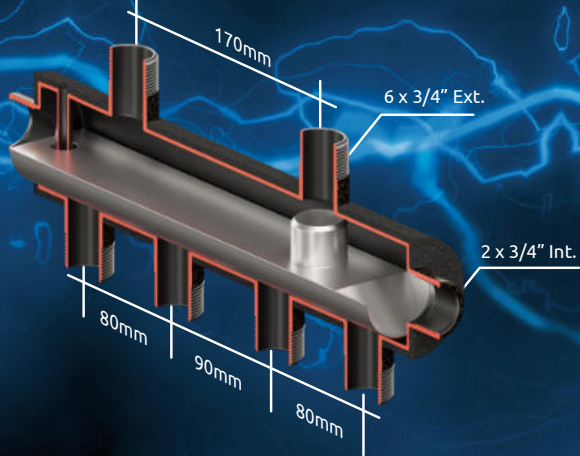
SKE 2DC+ Condens 35 kW distribution low loss header

360°
one low loss header
4 positions for perfect
adaptation to any
installation



flow control

measuring tube



Product code 432035

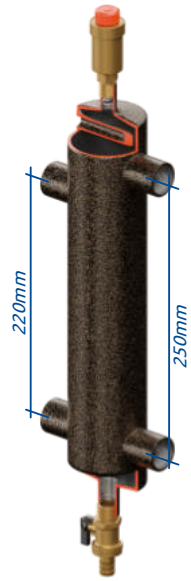
max power at $\Delta T = 20$ to 35 kW

insulation solar insulation



360°
One low loss header
4 position options
for a perfect fit in any
installation.

SHE-28 kW hydraulic low loss header



air vent & drain valve



measuring tube

SHE-OC 28 kW hydraulic low loss header



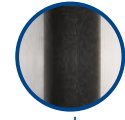
air vent & drain valve



SMART



mounting bracket

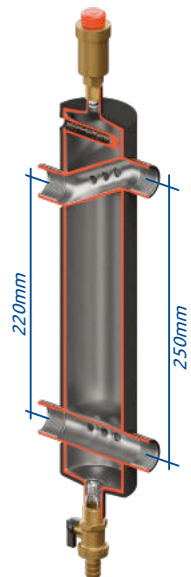


solar insulation



measuring tube

SHE CD Condens 35 kW hydraulic low loss header



air vent & drain valve



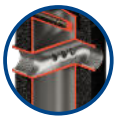
SMART



mounting bracket

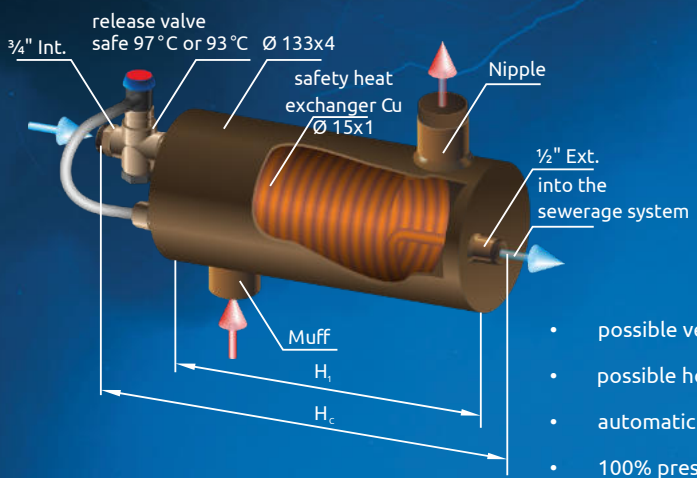


measuring tube

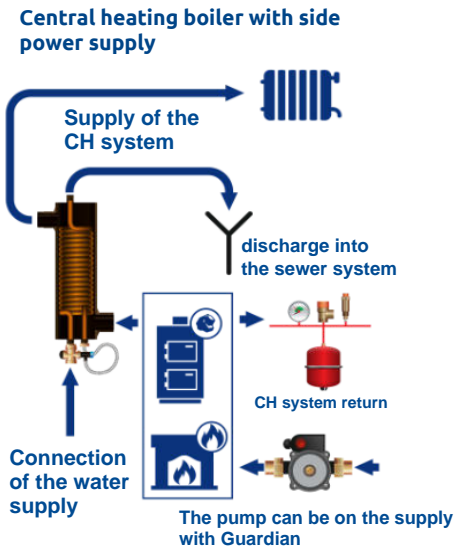
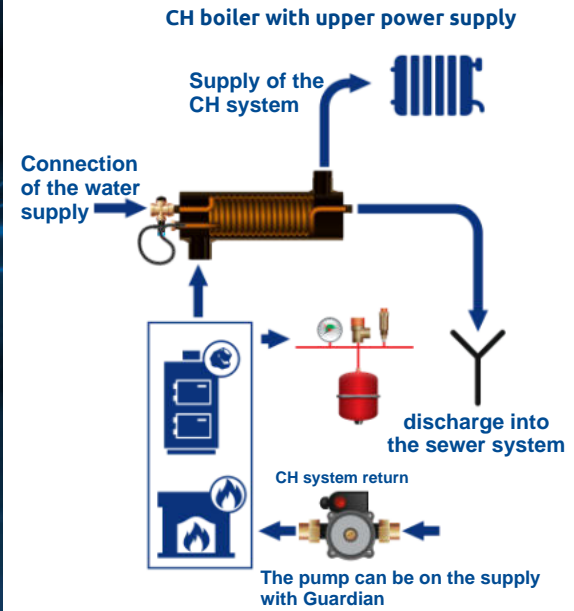


flow control

	SHE 28 25/50	SHE 28-OC 25/50	SHE 35-CD 25/50
Product code	401028	402028	403035
insulated solar insulation	NO	YES	YES
Max. power ($\Delta T=15K$)	28 kW	28 kW	
Max. power ($\Delta T=20K$)	35 kW	35 kW	35 kW
Connection (DN) A	25 - 1 "Int.	25 - 1 "Int.	25 - 1 "Int.
Max. flow	1,6 m ³ /h	1,6 m ³ /h	1,6 m ³ /h
Max. temperature	110°C	110°C	110°C
Nominal pressure	6 bar	6 bar	6 bar
Capacity V	0,7 l	0,7 l	0,7 l
P x V (bar x l)	4,2	4,2	4,2



- possible vertical operation
- possible horizontal operation
- automatic venting
- 100% pressure control



UNINSULATED	Guardian 23 40/125	Guardian 32 40/125
-------------	--------------------	--------------------

Operation temperature	93°C	93°C
Product code	703323	703332
Operation temperature	97°C	97°C
Product code	703023	703032
weight	8,0 kg	8,0 kg

INSULATED	Guardian 23 40/125	Guardian 32 40/125
-----------	--------------------	--------------------

Operation temperature	93°C	93°C
Product code	713323	713332
Operation temperature	97°C	97°C
Product code	713023	713032
weight	8,4 kg	8,4 kg

Power of safety heat exchanger	23 kW	32 kW
--------------------------------	-------	-------

Surface of safety heat exchanger	0,11 m ²	0,16 m ²
min. flow rate of cooling water	18 l/min	18 l/min

H ₁	290 mm	290 mm
----------------	--------	--------

H ₂	410 mm	410 mm
----------------	--------	--------

V	3,6 l	3,6 l
---	-------	-------

P max	6 bar	6 bar
-------	-------	-------

T max	110°C	110°C
-------	-------	-------

boiler connection (DN)	40-1 1/2" Int.	40-1 1/2" Int.
------------------------	----------------	----------------

connection installation DN	40-1 1/2" Ext.	40-1 1/2" Ext.
----------------------------	----------------	----------------



Pump group



Magnetic filters Dryl



Rifleman



Uhlan LCD



Connecting manifolds RGP



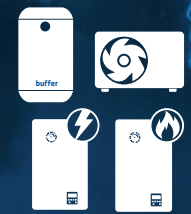
Buffer BHE



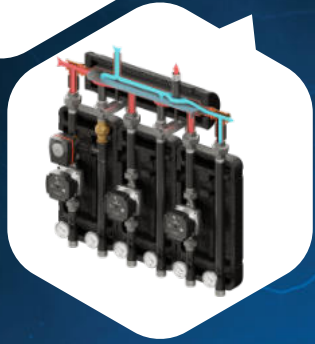
Rifleman PRO



Uhlan LED



Brigade set 3D+



Brigade set 2D+



Boatswain LED
Boatswain HP



Boatswain LED PRO



Elterm boiler selection configurator



on our website
www.elterm.pl



mobile



scan

or click



QUARTERMASTER

Quartermaster controller

Product code 811246



Module + internet application code 100004

- Controls:
- 1 or 2 any heat source (boiler altern.)
 - 2 heat sources at the same time (two different heat sources or cascade of 2 boilers c.o.)

x3 Controls 3 servomotors 3 pt. 230V

x5 Controls:

- 3 CH pumps, e.g. pump groups
- 1 DHW pump e.g. pump groups
- 1 circulation pump

Controls: 2 boiler open/closed contacts or 2 any heat source pumps or in a mixed system

3 x NO contact for 3 central heating circuits. (possibility of connecting any 3 voltage-free room thermoregulators)

3 x NO contact for 3 CH circuits. (possibility of connecting any 3 voltage-free room thermoregulators)

Weather compensation

x5 5 independent temperature sensors, e.g:

- 3 CH circuits + DHW + hydraulic low loss header
- 2 CH circuits + DHW + hydraulic low loss header + fireplace

x3 **STOP CH** AUTO-SUMMER function independent for each circuit (shuts down the circuit when the specified outside temperature is exceeded)

Module + internet application on smartfon

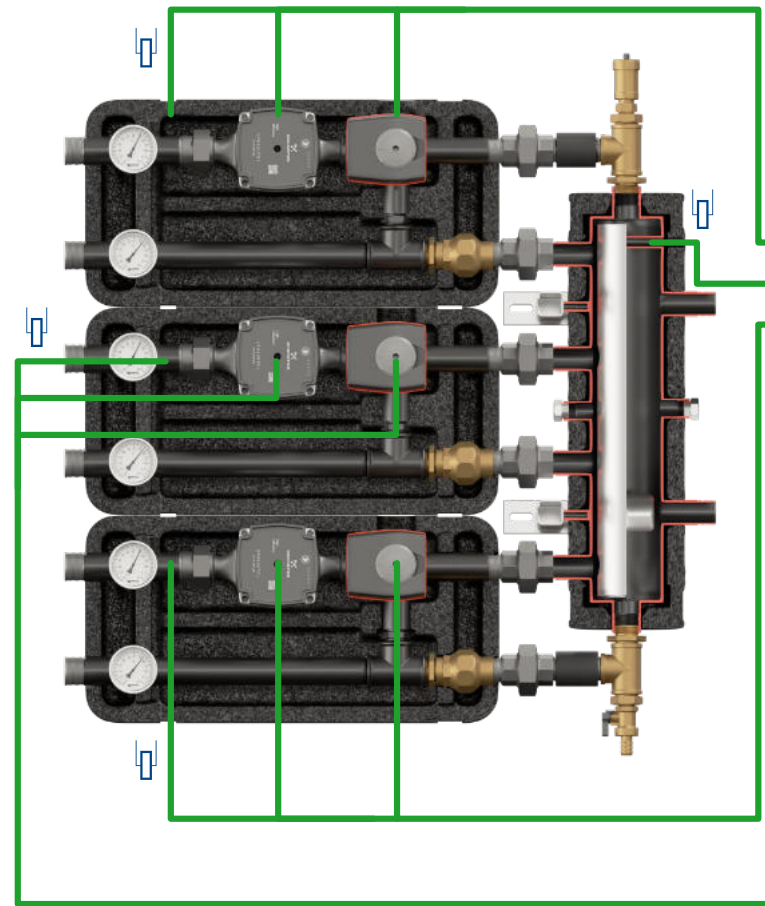
Product code 100004

Operates the most important functions via a mobile phone

OPTION	INCLUDED
Wired room control	Wired weather compensation

- Controls DHW pump + weekly programming
- Controls the circulation pump + weekly programming + impulse heat injection + circulation circuit

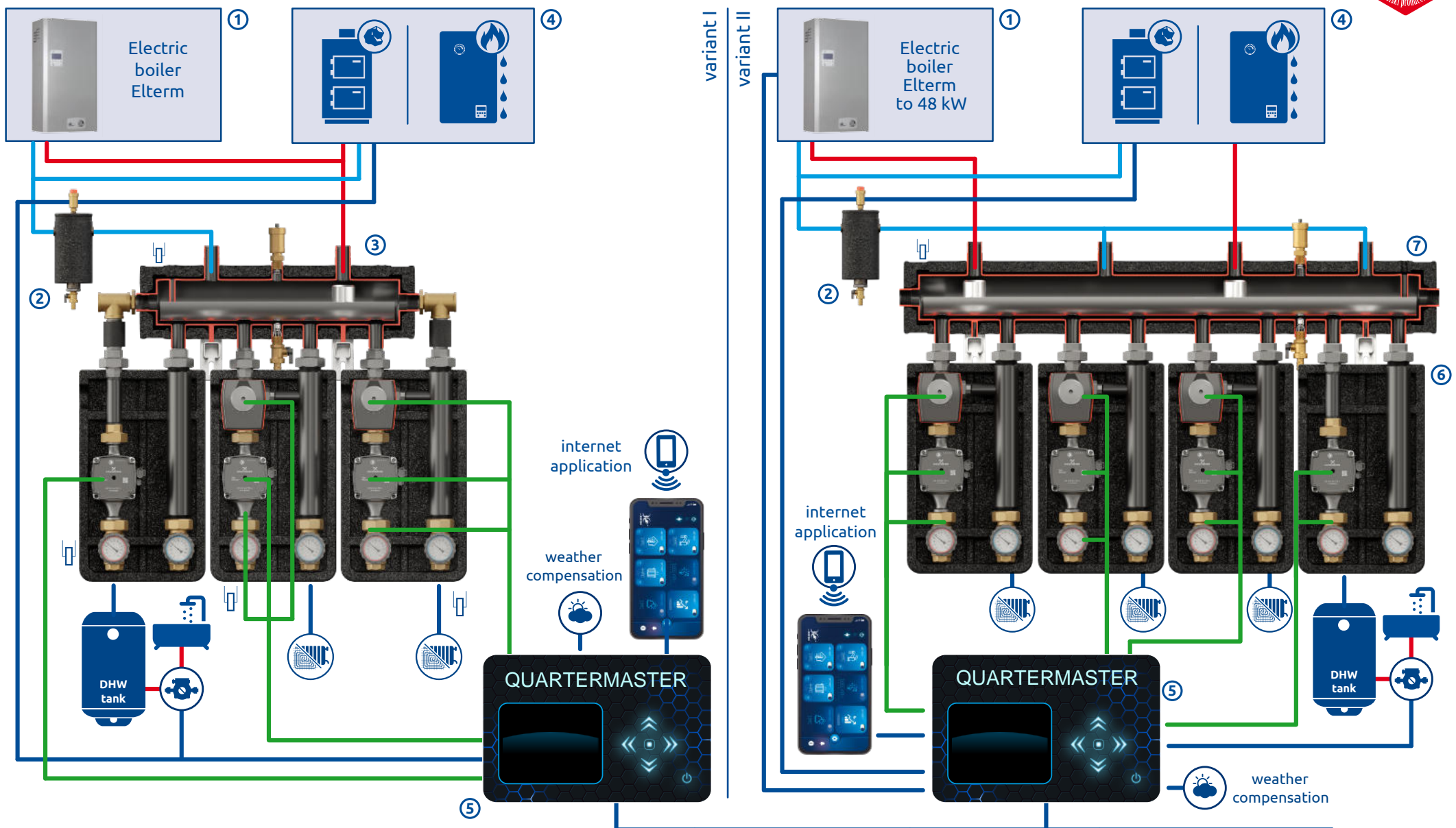
9 independent programmes for each circuit



I heat source | II heat source

Heating priority
CH water submixing function in a fireplace with water mantle. No heating activates the second heat source.

Electric boiler ELTERM PV Ready



- Elterm products**
- 1. Electric boiler**
 - 2. Dryl - magnetic filter**
 - 3. Company set 3D+**

- 4. heat pump/solid fuel boiler**
- 5. Quartermaster CH system controller**
- 6. Pump group Elterm**
- 7. SKE 96 4DC+ Condens (2x48 kW)**

<p>Servomotors control</p> <p>control servomotor 3 pkt. 230 V (from 1 to 3 pcs.)</p>	<p>DHW circuits programming</p> <p>9 DHW programme 9 circulation pump programme</p>	<p>CH circuits programming</p> <p>heating time programming of CH circuits. (from 1 to 3)</p>	<p>Pump control</p> <p>from 1 to 3 pump CH 1 x DHW pump 1 x circulation pump</p>
---	--	---	---



Elterm products

1. Electric boiler
2. Dryl - magnetic filtermodulator
3. RGP 3D+ i RGP 2D+ pump groups manifolds
4. SHE-CD Condens, SHE-OC low loss header
5. Quartermaster CH installation controller
6. Pump groups Elterm

Function AUTO-SUMMER

5 independent temp. sensor

CH circuits programming

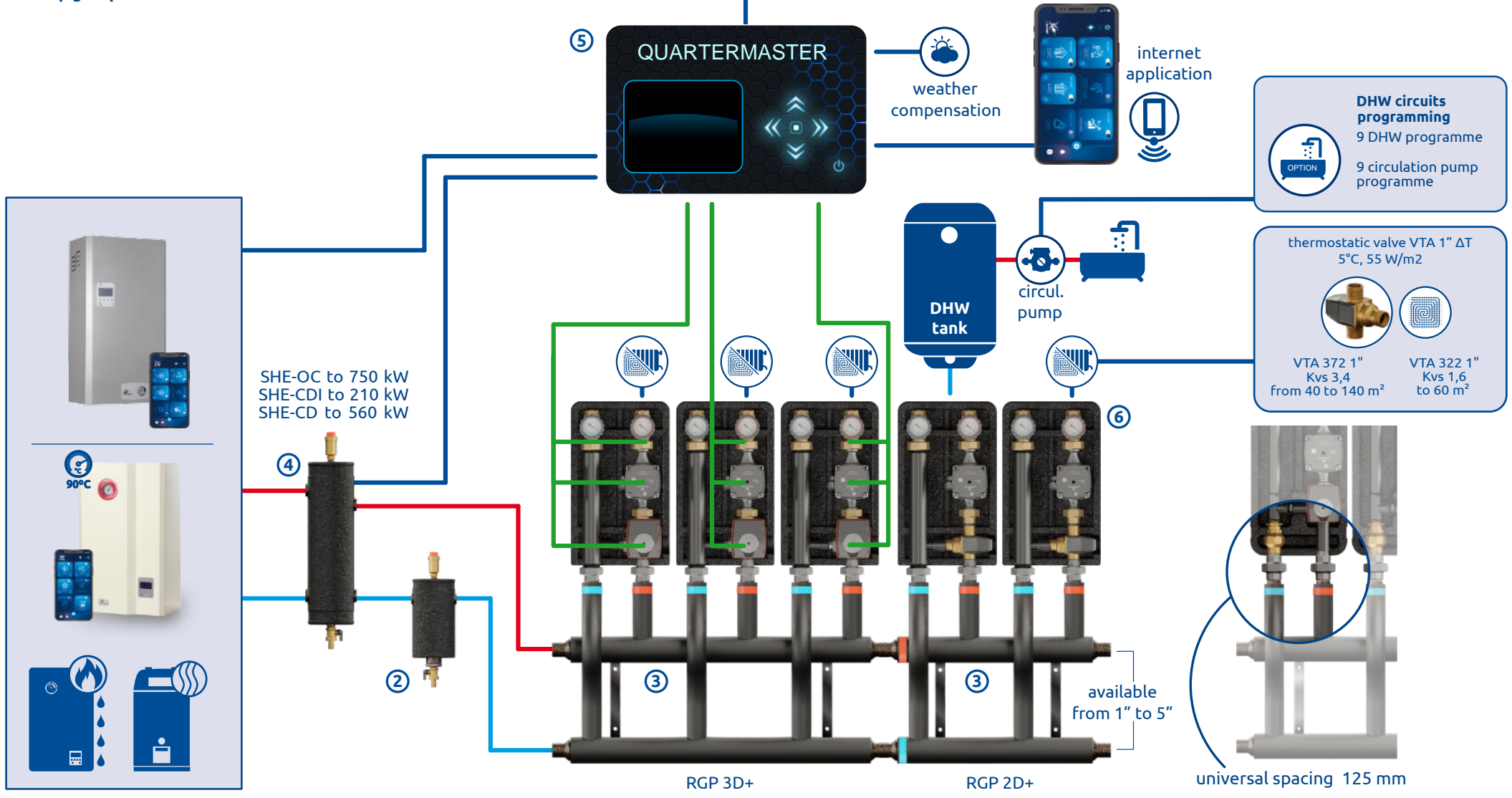
heating time programming of CH circuits. (from 1 to 3)

Servomotors control

control servomotor 3 pkt. 230 V (from 1 to 3 pcs.)

Pump control

from 1 to 3 pump CH
1 x DHW pump
1 x circulation pump





Pump group

buffer

Company set 2 i 3D+

buffer

Company set 2 & 3D+

Squadron set 2 & 3D+

Hydraulic fitting selection configurators

Find out how simple it is!



mobile



on our website
www.elterm.pl



ELTERM M.M. Kaszuba Sp. J.
86-200 Chełmno
ul. Przemysłowa 5
www.elterm.pl

667 005 000
56 686 93 05 w. 21 i 22
56 692 06 06
biuro@elterm.pl